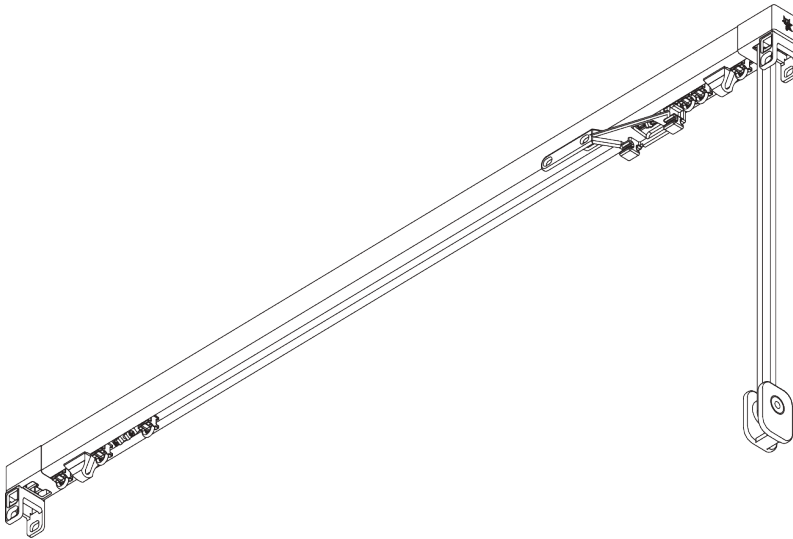
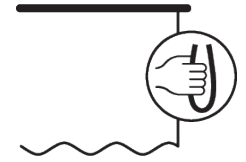


# SG 3870

---



## PRODUCT INFORMATION

- **Operation:** cord
- **Range:** M - L
- **Fitting:** ceiling, wall, recess
- **Colours:** white RAL 9016, black RAL 9005 or anodised aluminum, special colours possible (recess profile only in white RAL 9016, black RAL 9005 or special color)
- **Fabrics:** refer to Silent Gliss fabric collection

### **Features:**

- 2-component (2C) glider technology
- Wave (2C)
- Bendable
- Bendable recess profile

# SYSTEM SPECIFICATIONS

## A. SYSTEM DIMENSIONS



6 m



14 kg

### Max. curtain weight - 2C glider or roller

	2 m	4 m	6 m
	12	11	10
	14	13	12
	9	8	7
	10	9	6
	6	5	4
	7	6	5
	5	4	3
	6	5	4

(kg max.)

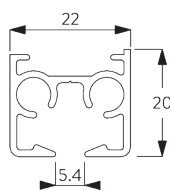
### Max. curtain weight - Wave 2C glider cord

	2 m	4 m	6 m
	5	8	7
	5	8	8
	5	6	5
	5	6	6
	4	3	-
	4	4	3
	3	2	-
	3	3	-

(kg max.)

## B. PROFILE

### Profile and bending information

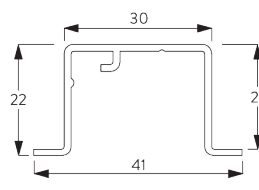


SG 11190

Profile



Radius:  
>26 cm



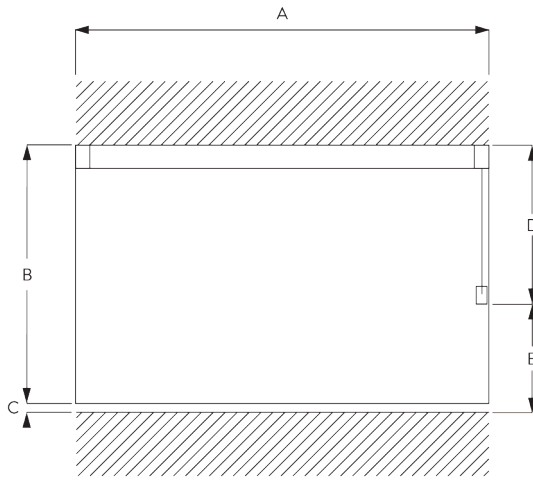
SG 11230

Recess profile



Radius:  
50 - 75 cm  
>75 cm on request

**C. HOW TO  
MEASURE**



- A: System width
- B: System height
- C: Distance between floor and fabric
- D: Cord height
- E: Safety Retainer SG 10731 min. 150 cm above floor

**D. SPECIFICATION  
TEXT**

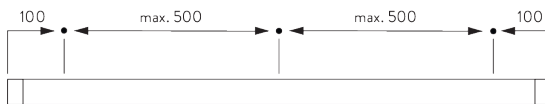
**Silent Gliss SG 3870 Cord Operated Curtain Track System.** Comprising aluminium profile SG 11190 supplied made to measure in silver anodised or powder coated in white / matt white / anodic grey / charcoal / antique bronze / black. Supplied as standard with 2C gliders SG 11300 at 14/m, cord guide/return set SG 11285, overlap SG 6288, spring stop SG 6086 and cord SG 3090. Top fixed with fixing clamp SG 3825 at 500mm centres. Optional top fix bracket SG 3832 / SG 3826. Wall fix with SG Smart Fix brackets SG 11200-11205 / SG Square Smart Fix brackets SG 11210-11215 / SG Universal Smart Fix brackets SG 11154-11156 with either SG 3832 or SG 3826 brackets. Recess fix with recess profile SG 11230 and SG 10157 clamps. Silent Gliss Wave option is available using 60mm glider cord SG 11303 / 80mm glider cord SG 11302. Compliant to Child Safety legislation EN 13120.

**FITTING**

**A. FITTING  
INFORMATION**

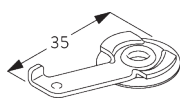
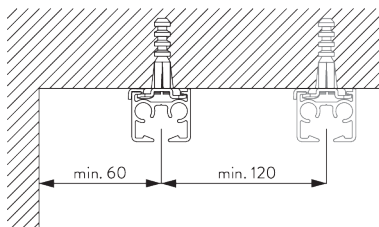
For detailed fitting information, visit the Silent Gliss website.

**Fixing points**



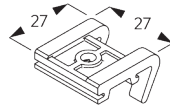
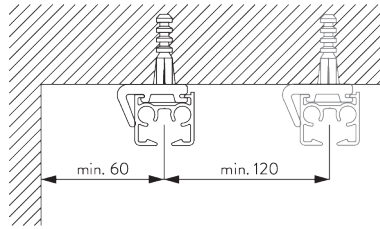
**B. CEILING FITTING**

**Clamp SG 3825**



**SG 3825**  
Clamp

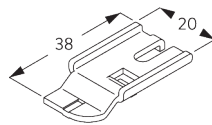
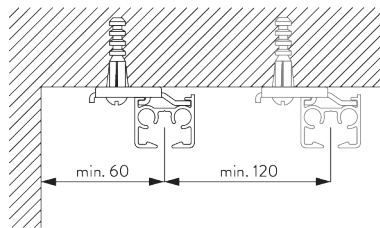
## Bracket SG 3826



**SG 3826**

Bracket

## Bracket SG 3832

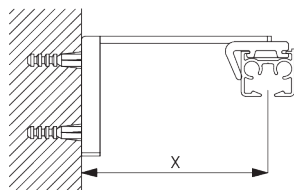


**SG 3832**

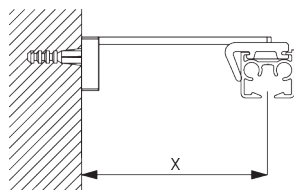
Bracket

## C. WALL FITTING

### Smart Fix

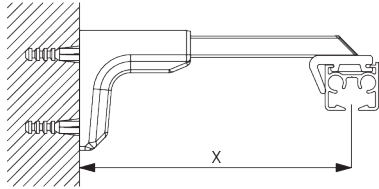


**Smart Fix SG 11200 - SG 11205 and bracket SG 3826:**  
Screw SG 10492 (M4x8) needed.



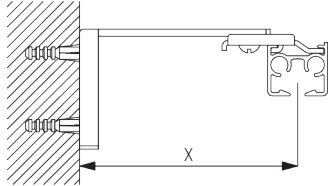
**Square Smart Fix SG 11210 - SG 11215 and bracket SG 3826:**  
Screw SG 10492 (M4x8) needed.

Smart Fix	X mm (SG 3826 / SG 3825)	X mm (SG 3832)
SG 11200 / SG 11210	52	70
SG 11201 / SG 11211	72	90
SG 11202 / SG 11212	92	110
SG 11203 / SG 11213	112	130
SG 11204 / SG 11214	142	160
SG 11205 / SG 11215	192	210
SG 11154	102-130	120-148
SG 11155	132-160	150-178
SG 11156	182-210	200-228



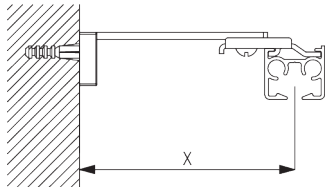
**Universal Smart Fix SG 11154 - SG 11156 and bracket SG 3826:**

Screw SG 10277 (M4x12) needed.



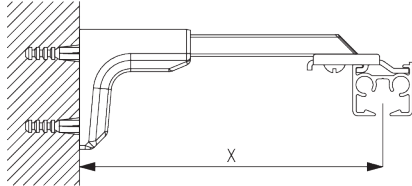
**Smart Fix SG 11200 - SG 11205 and bracket SG 3832:**

Screw SG 10492 (M4x8) needed.



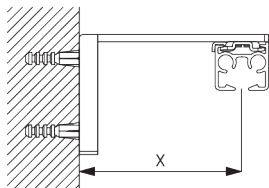
**Square Smart Fix SG 11210 - SG 11215 and bracket SG 3832:**

Screw SG 10492 (M4x8) needed.



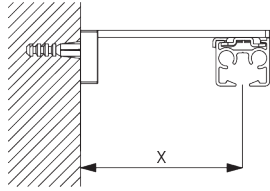
**Universal Smart Fix SG 11154 - SG 11156 and bracket SG 3832:**

Screw SG 10407 (M4x10) needed.

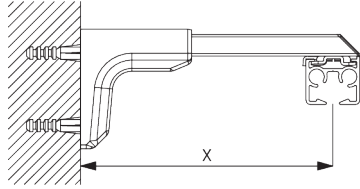


**Smart Fix SG 11200 - SG 11205 and clamp SG 3825:**

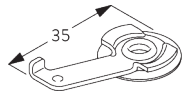
Screw SG 10074 (M4x8) needed.



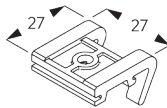
**Square Smart Fix SG 11210 - SG 11215 and clamp SG 3825:**  
Screw SG 10074 (M4x8) needed.



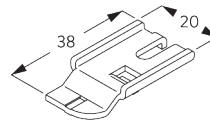
**Universal Smart Fix SG 11154 - SG 11156 and clamp SG 3825:**  
Screw SG 11158 (M4x12) needed.



**SG 3825**  
Clamp



**SG 3826**  
Bracket



**SG 3832**  
Bracket



**SG 10074**  
Countersunk head screw  
M4x8



**SG 10277**  
Pan head screw M4x12



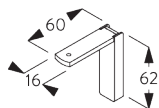
**SG 10407**  
Pan head screw M4x10



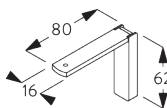
**SG 10492**  
Pan head screw M4x8



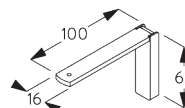
**SG 11158**  
Countersunk head screw  
M4x12



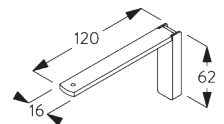
**SG 11200**  
Smart Fix 60 mm



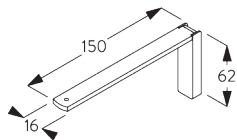
**SG 11201**  
Smart Fix 80 mm



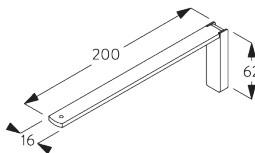
**SG 11202**  
Smart Fix 100 mm



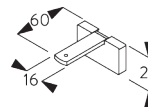
**SG 11203**  
Smart Fix 120 mm



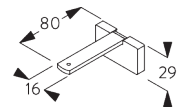
**SG 11204**  
Smart Fix 150 mm



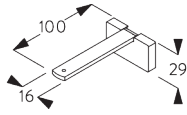
**SG 11205**  
Smart Fix 200 mm



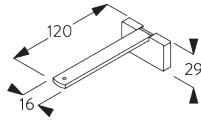
**SG 11210**  
Square Smart Fix 60 mm



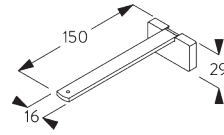
**SG 11211**  
Square Smart Fix 80 mm



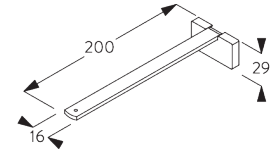
**SG 11212**  
Square Smart Fix 100 mm



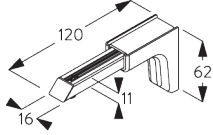
**SG 11213**  
Square Smart Fix 120 mm



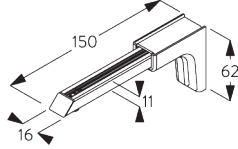
**SG 11214**  
Square Smart Fix 150 mm



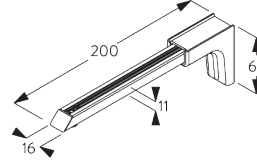
**SG 11215**  
Square Smart Fix 200 mm



**SG 11154**  
Universal Smart Fix 120 mm

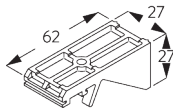
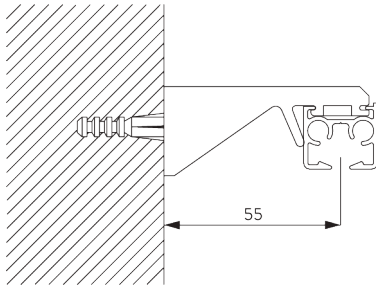


**SG 11155**  
Universal Smart Fix 150 mm



**SG 11156**  
Universal Smart Fix 200 mm

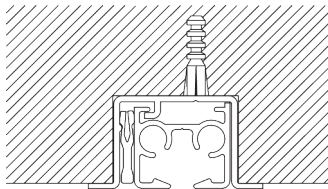
### Bracket SG 3836



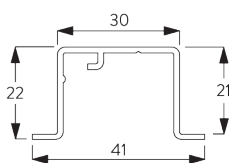
**SG 3836**  
Bracket

### D. RECESS FITTING

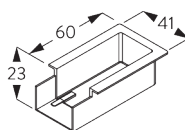
#### Recess profile SG 11230



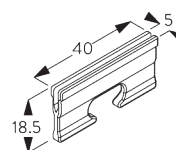
One wedge SG 10157 per fixing point.  
For detailed recess fitting, visit the Silent Gliss website.



**SG 11230**  
Recess profile



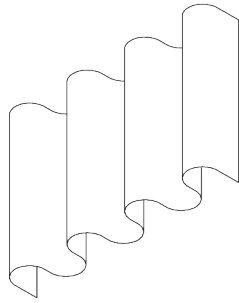
**SG 11238**  
Recess Mask



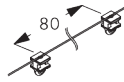
**SG 10157**  
Wedge

# SYSTEM OPTIONS

## A. WAVE



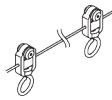
SG 11295



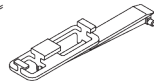
SG 11302

### Standard components:

- SG 11295 End stop
- SG 11302 Wave 2C glider cord 80 mm



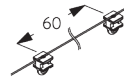
SG 6099



SG 6364



SG 6365



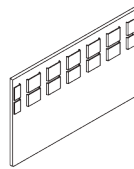
SG 11303

### Optional component:

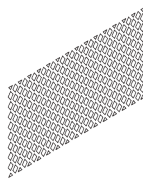
- SG 6099 Wave roller cord 80 mm
- SG 6364 Wave extension
- SG 6365 Wave hanger
- SG 11303 Wave 2C glider Cord 60 mm



SG 3582



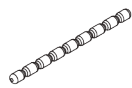
SG 6349



SG 6363

### Curtain components:

- SG 3582 Hook
- SG 6349 Wave curtain tape
- SG 6363 Wave top hemming tape
- SG 10075 Lead weight 50 gr/m
- SG 10076 Fabric weight

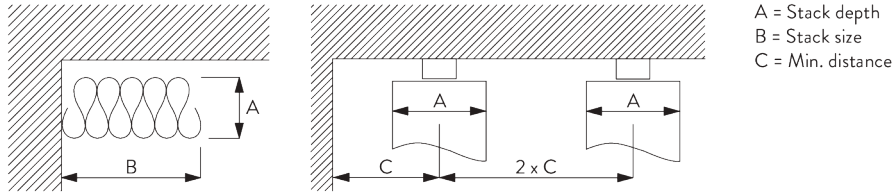


SG 10075



SG 10076

Wave stack depth - 2C glider cord (standard components)



2C Glider cord SG 11302	Pockets between hooks	Approx. curtain fullness	Stack depth A	Stack size B*	Min distance C
80	6	~2.1	140	180 per metre of track	90
80	7	~2.3	160	180 per metre of track	100


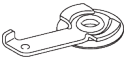

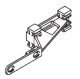
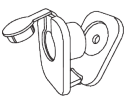
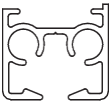


2C Glider cord SG 11303	Pockets between hooks	Approx. curtain fullness	Stack depth A	Stack size B*	Min distance C
60	4	~2.1	100	230 per metre of track	70
60	5	~2.3	120	230 per metre of track	80

\*Stack size B





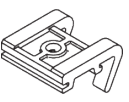
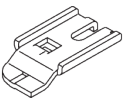
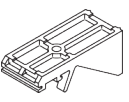

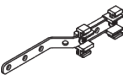



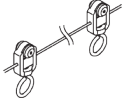

- Standard = plus 35 mm per curtain
- Optional extension arm SG 6364 = plus 130 mm per curtain

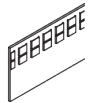

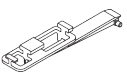
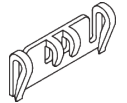
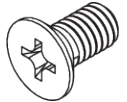

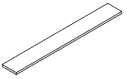
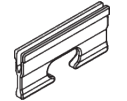
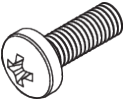
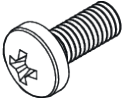

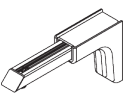
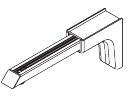
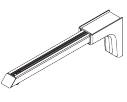
# PARTS

## A. STANDARD PARTS

	<b>SG 3090</b> Cord ø 3.5 mm
	<b>SG 3825</b> Clamp
	<b>SG 6086</b> Spring stop
	<b>SG 6288</b> Overlap arm
	<b>SG 10731</b> Child safety retainer set
	<b>SG 11190</b> Profile
	<b>SG 11285</b> Guide set
	<b>SG 11300</b> 2C glider

## B. OPTIONAL PARTS

	<b>SG 3571</b> Hook
	<b>SG 3582</b> Hook
	<b>SG 3599</b> Hook
	<b>SG 3802</b> Connection bridge
	<b>SG 3826</b> Bracket
	<b>SG 3832</b> Bracket
	<b>SG 3836</b> Bracket
	<b>SG 6053</b> Spring stop
	<b>SG 6063</b> Overlap arm
	<b>SG 6064</b> End stop
	<b>SG 6094</b> Roller
	<b>SG 6098</b> Roller
	<b>SG 6099</b> Wave roller cord 80 mm
	<b>SG 6283</b> Roller

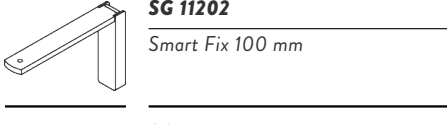
	<b>SG 6349</b> Wave curtain tape
	<b>SG 6363</b> Wave top hemming tape
	<b>SG 6364</b> Wave extension
	<b>SG 6365</b> Wave hanger
	<b>SG 10074</b> Countersunk head screw M4x8
	<b>SG 10075</b> Lead weight 50 g/m
	<b>SG 10076</b> Fabric weight
	<b>SG 10157</b> Wedge
	<b>SG 10277</b> Pan head screw M4x12
	<b>SG 10407</b> Pan head screw M4x10
	<b>SG 10492</b> Pan head screw M4x8
	<b>SG 11154</b> Universal Smart Fix 120 mm
	<b>SG 11155</b> Universal Smart Fix 150 mm
	<b>SG 11156</b> Universal Smart Fix 200 mm



**SG 11200**  
Smart Fix 60 mm



**SG 11201**  
Smart Fix 80 mm



**SG 11202**  
Smart Fix 100 mm



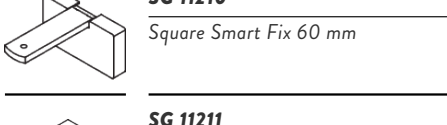
**SG 11203**  
Smart Fix 120 mm



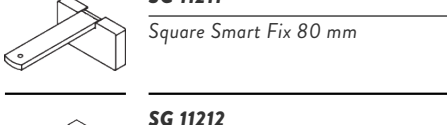
**SG 11204**  
Smart Fix 150 mm



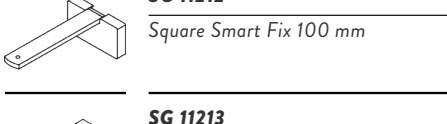
**SG 11205**  
Smart Fix 200 mm



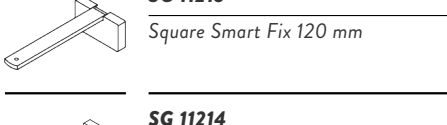
**SG 11210**  
Square Smart Fix 60 mm



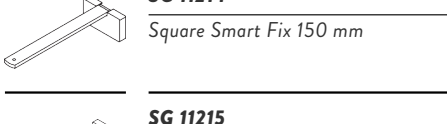
**SG 11211**  
Square Smart Fix 80 mm



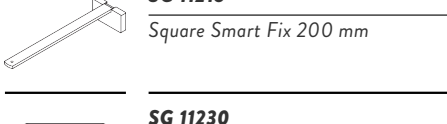
**SG 11212**  
Square Smart Fix 100 mm



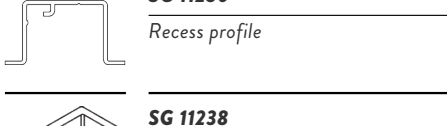
**SG 11213**  
Square Smart Fix 120 mm



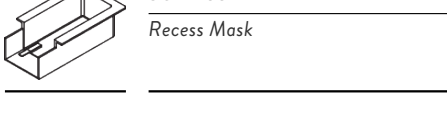
**SG 11214**  
Square Smart Fix 150 mm



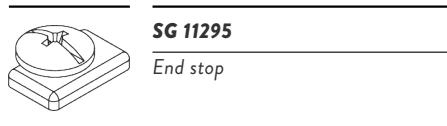
**SG 11215**  
Square Smart Fix 200 mm



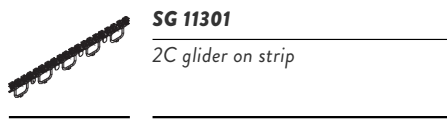
**SG 11230**  
Recess profile



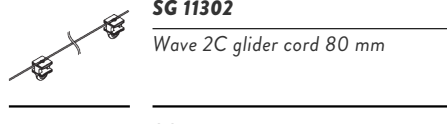
**SG 11238**  
Recess Mask



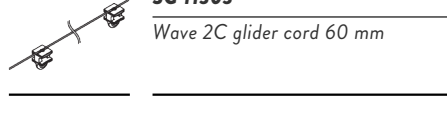
**SG 11295**  
End stop



**SG 11301**  
2C glider on strip



**SG 11302**  
Wave 2C glider cord 80 mm



**SG 11303**  
Wave 2C glider cord 60 mm

