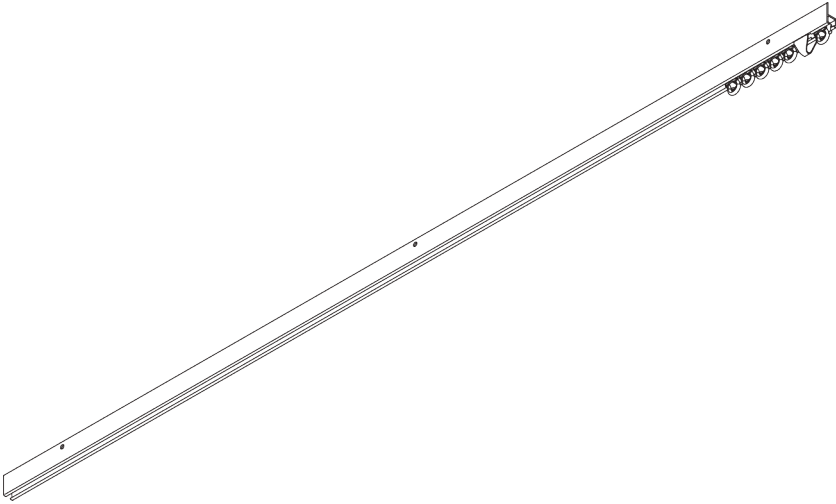


SG 1021



PRODUCT INFORMATION

- **Operation:** hand
- **Range:** S
- **Fitting:** wall
- **Colours:** white RAL 9016; special colours or anodised aluminum possible
- **Fabrics:** refer to Silent Gliss fabric collection

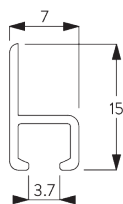
Features:

- Pre-drilled profile
- Bendable

SYSTEM SPECIFICATIONS

A. PROFILE

Profile and bending information

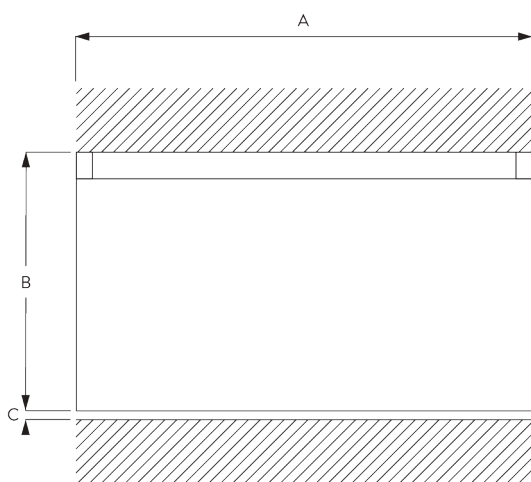


SG 1021p

Profile

Radius:
✓ 6 cm, 10 cm

B. HOW TO MEASURE



A: System width
B: System height
C: Distance between floor and fabric

C. SPECIFICATION

TEXT

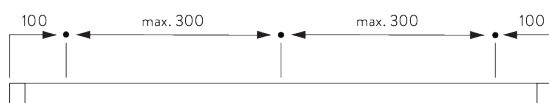
Silent Gliss SG 1021 Hand Operated Curtain Track System. Comprises aluminium profile SG 1021 supplied made to measure powder coated white/ silver anodised with gliders SG 3533 at 14/m and 2 end stops SG 3016 per length. Face fixed to timber only with screw SG6835 at max. 300mm centres.

FITTING

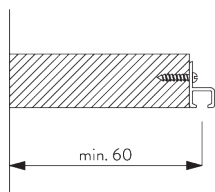
A. FITTING INFORMATION

Fixing points

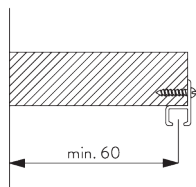
For detailed fitting information, visit the [Silent Gliss website](#).



B. FACE FITTING


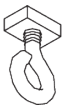

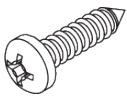


**C. FACE FITTING
(ALTERNATIVE)**



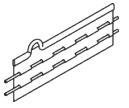


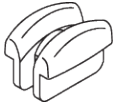

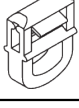
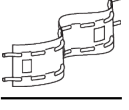


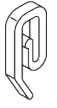
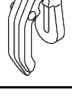



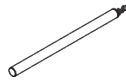

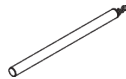
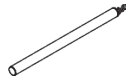
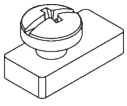
PARTS

A. STANDARD PARTS

	SG 1021p Profile
	SG 3016 End stop
	SG 3533 Glider
	SG 10896 Pan head screw 2.9x13

B. OPTIONAL PARTS

	SG 3020 Hook
	SG 3032 Spring stop
	SG 3068 Frizzing tape
	SG 3070 End stop
	SG 3071 End stop
	SG 3511 Glider
	SG 3534 Glider 3533 on strip
	SG 3548 Glider
	SG 3562 Heading tape
	SG 3570 Glider
	SG 3571 Hook
	SG 3582 Hook
	SG 3599 Hook
	SG 10430 Draw rod 50 cm

	SG 10431 Draw rod 75 cm
	SG 10432 Draw rod 100 cm
	SG 10433 Draw rod 125 cm
	SG 10434 Draw rod 150 cm
	SG 11335 End stop