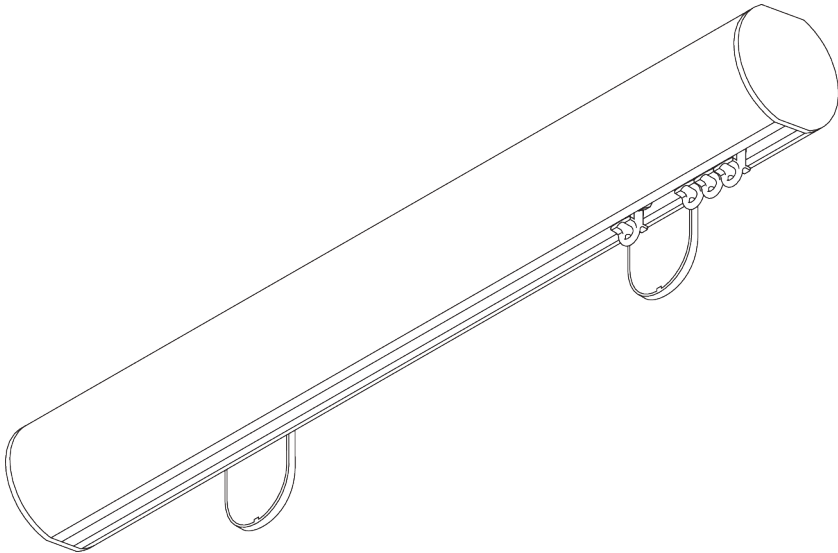
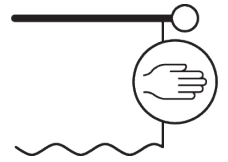


# SG 6140M

---



## PRODUCT INFORMATION

- **Operation:** hand
- **Range:** M - L
- **Fitting:** ceiling, wall
- **Colours:** white RAL 9016, various colours / finishes
- **Fabrics:** refer to Silent Gliss fabric collection

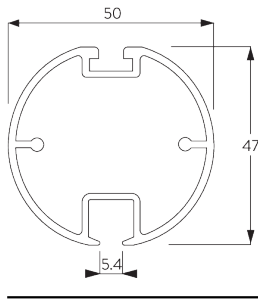
### **Features:**

- 2-component (2C) glider technology
- Wave (2C)
- Matching endcaps and brackets / bracket covers
- Range of decorative finials
- Bendable

# SYSTEM SPECIFICATIONS

## A. PROFILE

Profile and bending information



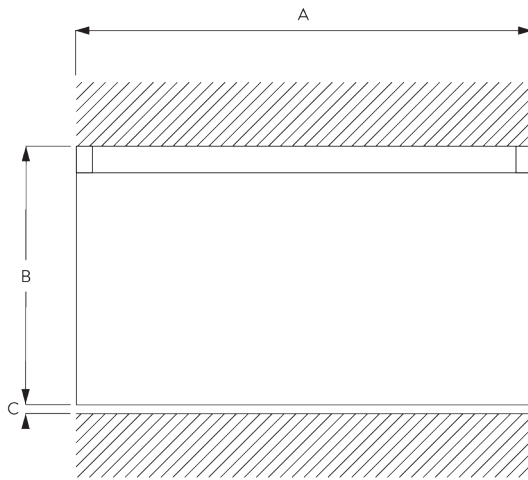
**SG 20700**

Profile 50 mm



Radius:  
>50 cm

## B. HOW TO MEASURE



A: System width includes finials

B: System height

C: Distance between floor and fabric

## C. SPECIFICATION TEXT

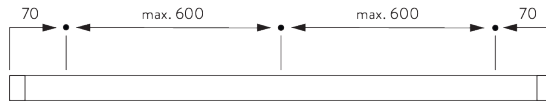
**Silent Gliss SG 6140 'Metropole' hand operated curtain track system.** Comprises 50mm aluminium profile SG 20700 supplied made to measure with 2C gliders SG 11300 at 14/m, 2 no. end covers SG 20350 and 2 no. end stops SG 6065. Supplied as standard with wall 'face' fix Maxi brackets SG 20334 at max. 600mm centres. Alternatively, wall fix with Smart Fix brackets SG 11206-11208 / SG 11216-11218 / SG 11209 / Blok brackets SG 20989. Ceiling 'top' fix with fixing plate SG 6151 / top bracket SG 20335 at 600mm centres. Finished in Black, White, Matt White, Ecru, Slate Grey, Antique Bronze, Silver Anodised, Anodic Grey and Taupe. A range of decorative finials are available. Silent Gliss Wave option is available using 60mm glider cord SG 11303 / 80mm glider cord SG 11302 / 80mm roller glider cord SG 6099.

# FITTING

## A. FITTING INFORMATION

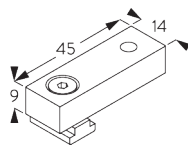
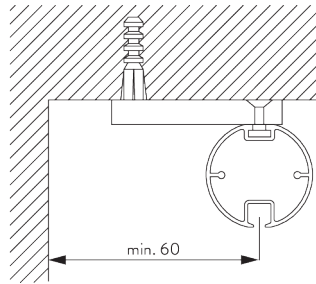
For detailed fitting information, visit the Silent Gliss website.

### Fixing points



## B. CEILING FITTING

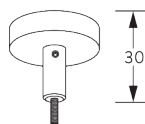
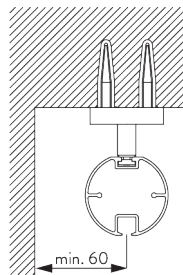
### Support SG 6152



**SG 6152**

Ceiling support set 9 mm

### Top fix bracket SG 20335

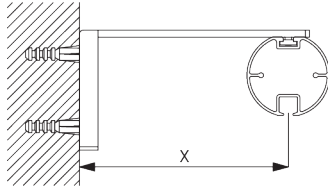


**SG 20335**

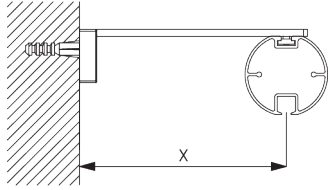
Top fix bracket

## C. WALL FITTING

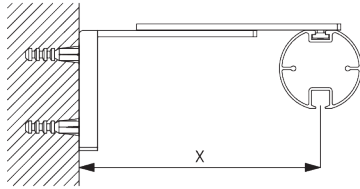
### Smart Fix



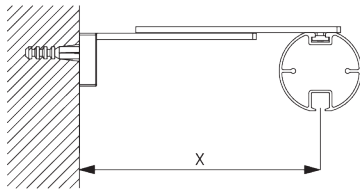
**Smart Fix with slot SG 11206 - SG 11208 and SG 6141:**  
Screw SG 20798 (M4x10) needed.



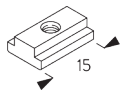
**Square Smart Fix with slot SG 11216 - SG 11218 and SG 6141:**  
Screw SG 20798 (M4x10) needed.



**Adjustable Smart Fix SG 11209 and SG 6141:**  
Screw SG 6784 (M4x8) needed.



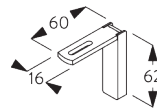
**Adjustable Square Smart Fix SG 11472 and SG 6141:**  
Screw SG 6784 (M4x8) needed.



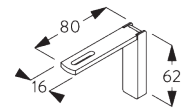
**SG 6141**  
Clamping piece



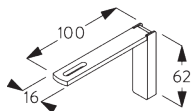
**SG 6784**  
Hexagon socket countersunk screw M4x8 mm



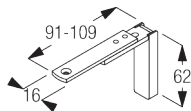
**SG 11206**  
Smart Fix with slot 60 mm



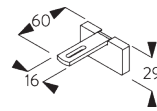
**SG 11207**  
Smart Fix with slot 80 mm



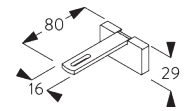
**SG 11208**  
Smart Fix with slot 100 mm



**SG 11209**  
Adjustable Smart Fix

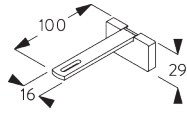


**SG 11216**  
Square Smart Fix with slot 60 mm



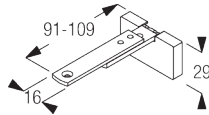
**SG 11217**  
Square Smart Fix with slot 80 mm

Smart Fix	X mm
SG 11206 / SG 11216	51
SG 11207 / SG 11217	71
SG 11208 / SG 11218	91
SG 11209 / SG 11472	80-100



**SG 11218**

Square Smart Fix with slot  
100 mm



**SG 11472**

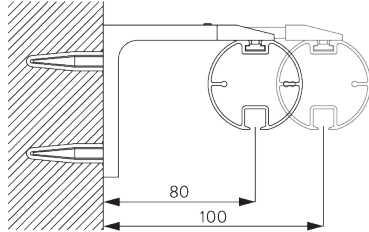
Adjustable Square Smart Fix



**SG 20798**

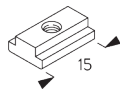
Hexagon socket countersunk  
screw M4x10 mm

### Maxi adjustable bracket SG 20334



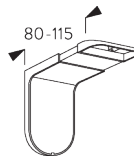
Screw SG 20798 (M4x10) needed.

Note: all 50 mm Metropole are supplied with maxi  
adjustable bracket SG 20334 as standard.



**SG 6141**

Clamping piece



**SG 20334**

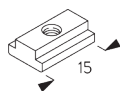
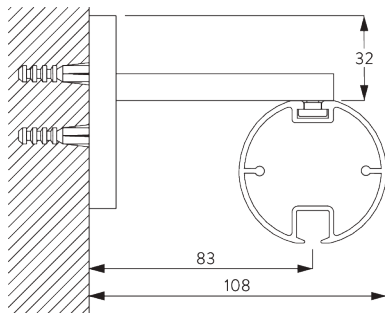
Maxi adjustable bracket



**SG 20798**

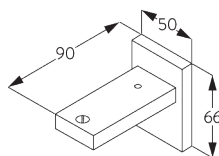
Hexagon socket countersunk  
screw M4x10 mm

### Blok bracket SG 20989



**SG 6141**

Clamping piece

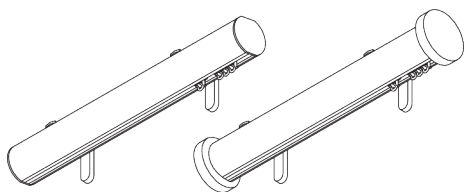


**SG 20989**

Blok bracket

# DESIGN & SYSTEM OPTIONS

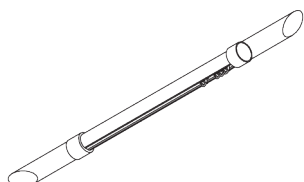
## A. ENDCAPS



Without finials, poles are supplied as standard with flush fitting endcaps SG 20350 (left).

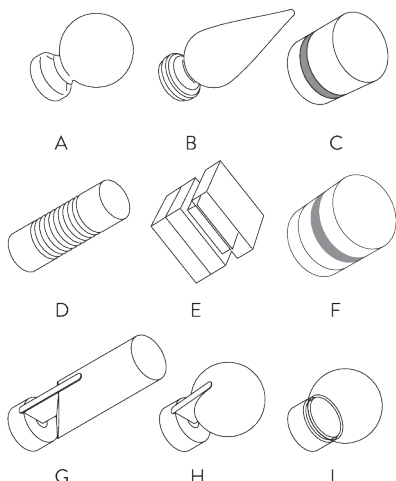
Alternatively, stud endcaps SG 20714 (right) can be selected at no additional cost.

## B. FINIALS



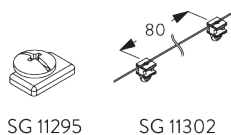
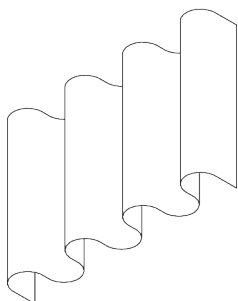
Finials are decorative elements that fit on at the end of the pole.

Please refer to the Metropole brochure for full range details.



- A: SG 20717 Ball End 125 mm
- B: SG 20718 Real Wood Spear 150 mm
- C: SG 20697 Strata 65 mm
- D: SG 20630 Groove Cylinder 125 mm
- E: SG 20898 Crystal Cube 55 mm  
(green, black, brown)
- F: SG 20899 Crystal Cylinder 55 mm  
(green, black, brown)
- G: SG 20315 Fused Barrel 121 mm  
(walnut, oak, colour matched)
- H: SG 20327 Fused Ball 81 mm  
(walnut, oak, colour matched)
- I: SG 20333 Glass Ball 70 mm  
(clear, frosted)

## C. WAVE

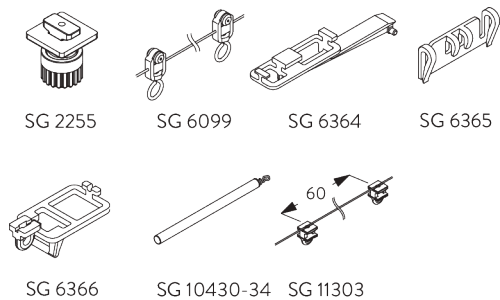


SG 11295

SG 11302

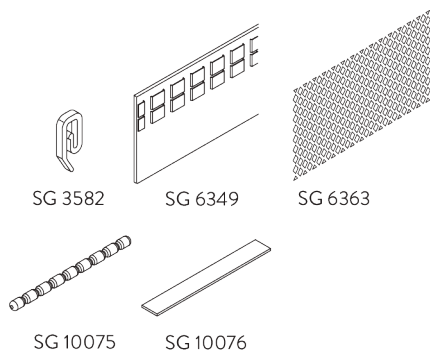
Standard components:

- SG 11295 End stop
- SG 11302 Wave 2C glider cord 80 mm



**Optional components:**

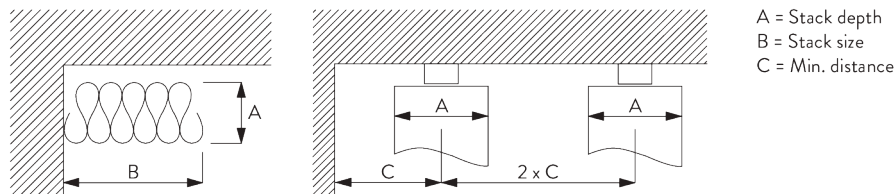
- SG 2255 Brake
- SG 6099 Wave roller cord 80 mm
- SG 6364 Wave extension
- SG 6365 Wave hanger
- SG 6366 Wave carrier for draw rod
- SG 10430-34 Draw rod
- SG 11303 Wave 2C glider cord 60 mm



**Curtain components:**

- SG 3582 Hook
- SG 6349 Wave curtain tape
- SG 6363 Wave top hemming tape
- SG 10075 Lead weight 50 gr/m
- SG 10076 Fabric weigh

**Wave stack depth - 2C glider cord (standard components)**



A = Stack depth  
 B = Stack size  
 C = Min. distance

2C Glider cord SG 11302	Pockets between hooks	Approx. curtain fullness	Stack depth A	Stack size B*	Min distance C
80	6	~2.1	140	180 per metre of track	90
80	7	~2.3	160	180 per metre of track	100

2C Glider cord SG 11303	Pockets between hooks	Approx. curtain fullness	Stack depth A	Stack size B*	Min distance C
60	4	~2.1	100	230 per metre of track	70
60	5	~2.3	120	230 per metre of track	80

\*Stack size B when using optional extension arm increases by 95 mm per curtain!

# GENERAL NOTES

## **Dimensions**

- Measurements are in mm except where indicated.
- Max. kg relates to fabric incl. accessories.
- Stack size depends on curtain make-up and fabric thickness.
- Distance between gliders max. 80 mm / distance between rollers max. 100 mm.
- Recommended distance floor / fabric: 20 mm.
- In order to determine system height (B), the smallest room height must be taken into account.

## **Fitting**

- Installation by qualified fitter only.
- Number of brackets and fitting positions / fixing points vary depending on fitting surface, system weight, fabric make-up, screw / fixing type and obstacles.
- Qualified fitter must use appropriate screws / fixings for each situation.
- Profile lip if applicable to be installed to room side.


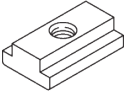


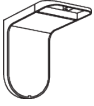

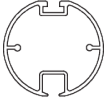
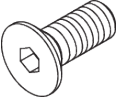
## **Child Safety**

- All relevant Silent Gliss systems correspond to child safety EN 13120.
- All parties involved must comply with EN 13120.

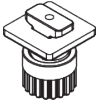

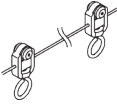
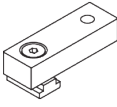


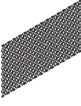
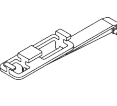
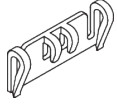
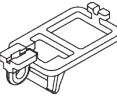
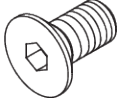

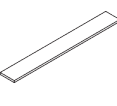



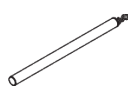
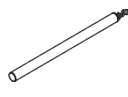
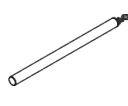
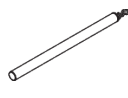
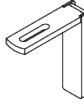
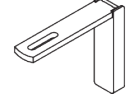
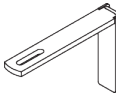
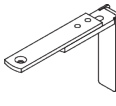
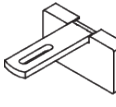
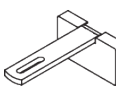
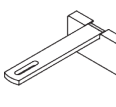
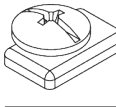

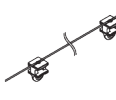
# PARTS

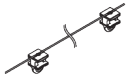
## A. STANDARD PARTS

	<b>SG 6065</b> End stop
	<b>SG 6141</b> Clamping piece
	<b>SG 6143</b> Glider on strip
	<b>SG 11300</b> 2C glider
	<b>SG 20334</b> Maxi adjustable bracket
	<b>SG 20350</b> Flus endcap 50 mm
	<b>SG 20700</b> Profile 50 mm
	<b>SG 20798</b> Hexagon socket countersunk screw M4x10 mm

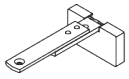
## B. OPTIONAL PARTS

	<b>SG 2255</b> Brake
	<b>SG 3582</b> Hook
	<b>SG 6099</b> Wave roller cord 80 mm
	<b>SG 6152</b> Ceiling support set 9 mm
	<b>SG 6283</b> Roller
	<b>SG 6349</b> Wave curtain tape
	<b>SG 6363</b> Wave top hemming tape
	<b>SG 6364</b> Wave extension
	<b>SG 6365</b> Wave hanger
	<b>SG 6366</b> Wave carrier for draw rod
	<b>SG 6784</b> Hexagon socket countersunk screw M4x8 mm
	<b>SG 10075</b> Lead weight 50 g/m
	<b>SG 10076</b> Fabric weight
	<b>SG 10430</b> Draw rod 50 cm

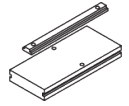
	<b>SG 10431</b> Draw rod 75 cm
	<b>SG 10432</b> Draw rod 100 cm
	<b>SG 10433</b> Draw rod 125 cm
	<b>SG 10434</b> Draw rod 150 cm
	<b>SG 11206</b> Smart Fix with slot 60 mm
	<b>SG 11207</b> Smart Fix with slot 80 mm
	<b>SG 11208</b> Smart Fix with slot 100 mm
	<b>SG 11209</b> Adjustable Smart Fix
	<b>SG 11216</b> Square Smart Fix with slot 60 mm
	<b>SG 11217</b> Square Smart Fix with slot 80 mm
	<b>SG 11218</b> Square Smart Fix with slot 100 mm
	<b>SG 11295</b> End stop
	<b>SG 11301</b> 2C glider on strip
	<b>SG 11302</b> Wave 2C glider cord 80 mm

**SG 11303**

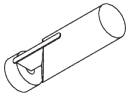
Wave 2C glider cord 60 mm

**SG 11472**

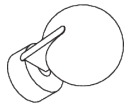
Adjustable Square Smart Fix

**SG 20273**

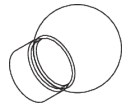
Connection bridge set

**SG 20315**

Fused barrel 121 mm

**SG 20327**

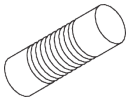
Fused ball 81 mm

**SG 20333**

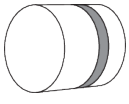
Glass ball 70 mm

**SG 20335**

Top fix bracket

**SG 20630**

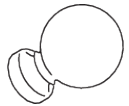
Groove cylinder 135 mm

**SG 20697**

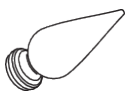
Strata 65 mm

**SG 20714**

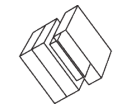
Stud endcap 50 mm

**SG 20717**

Ball end 125 mm

**SG 20718**

Real wood spear 150 mm

**SG 20898**

Crystal cube 85 mm

**SG 20899**

Crystal cylinder 55 mm



