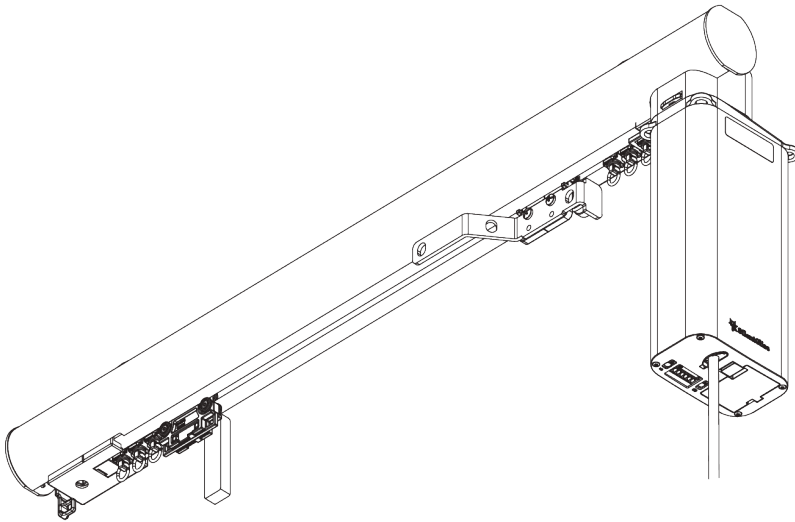
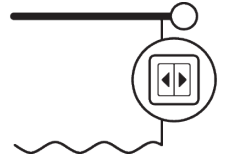


SG 7650



PRODUCT INFORMATION

- **Operation:** motorised
- **Range:** S - L
- **Fitting:** ceiling, wall
- **Colours:** white RAL 9016, various colours / finishes
- **Fabrics:** refer to Silent Gliss fabric collection

Features:

- 2-component (2C) roller technology
- Wave (2C)
- 2 motor options
- Various control options
- Touch & Go
- Manual override
- Matching endcaps and brackets / bracket covers
- Range of decorative finials

SYSTEM SPECIFICATIONS

A. SYSTEM DIMENSIONS



6 m



45 kg

Maximum curtain weight - SG 5100

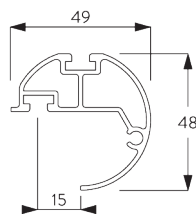
	Application with rollers		Application with Wave gliders	
	3 m	6 m	3 m	6 m
	20	25	20	20
	20	25	20	20
	(kg max.)		(kg max.)	

Maximum curtain weight - SG 5600

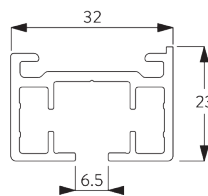
	Application with rollers / Wave rollers		Application with Wave gliders	
	2 m	6 m	2 m	6 m
	25	45	20	25
	25	45	20	25
	(kg max.)		(kg max.)	

B. PROFILE

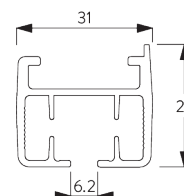
Profile Information



SG 11608
Profile

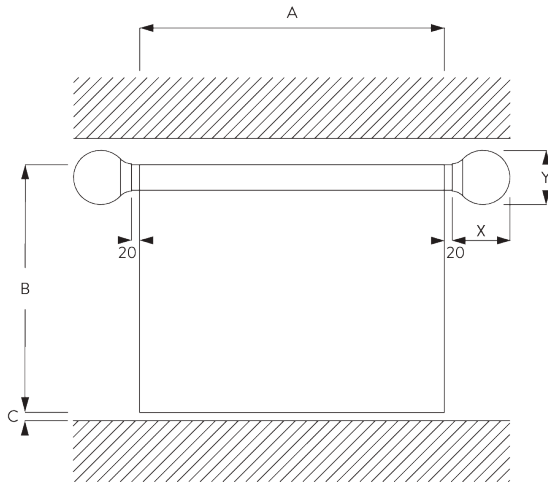


SG 10850
Profile



SG 10925
Profile

**C. HOW TO
MEASURE**

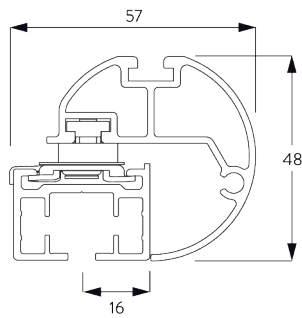


A: System width without finials
 B: System height
 C: Distance between floor and fabric
 X: Finial width
 Y: Finial height

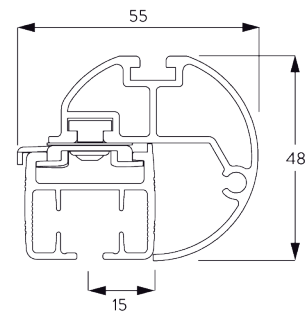
Finial Measurements

		50 mm	
		X	Y
	SG 11605	2	51
	SG 11651	10	56
	SG 11652	24	75
	SG 11763	115	51
	SG 11764	83	70
	SG 11766	90	85
	SG 11767	165	70
	SG 11768	32	130
	SG 11769	30	100

Profile cross sections



SG 7650 with electric curtain track SG 5600



SG 7650 with electric curtain track SG 5100

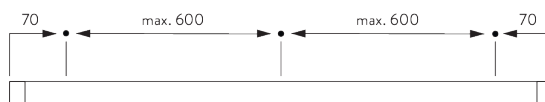
D. SPECIFICATION TEXT

Silent Gliss SG 7650 'Metropole' electrically operated curtain track system. Comprises 50 mm aluminium profile SG 11608 supplied made to measure with SG electric track system SG 5600 / SG 5100 (refer to Silent Gliss for technical catalogue for motor and control options). Straight poles supplied as standard with wall 'face' fix Smart Fix brackets SG 11206 at max. 600 mm centres. Optional wall fix brackets SG 11207-11208 / SG 11216-11218 / SG 11209 / SG 11472 / Fillet bracket SG 11669. Straight only – cannot be bent. Ceiling 'top' fix with plate SG 6152 / bracket SG 6175 / SG 11668 at max. 600 mm centres. Finished in Black, White, Matt White, Ecru, Slate Grey, Bronze, Antique Bronze, Silver Anodised, Anodic Grey and Taupe. A range of decorative finials are available. Silent Gliss Wave option is available using – for SG 5100 track system 60 mm glider cord SG 10906 / 80 mm glider cord SG 10905 – for SG 5600 track system 80 mm glider cord SG 10905 / 60 mm glider cord SG 10906 / 60 mm wave 2C roller glider cord SG 10869 / 80 mm wave 2C roller glider cord SG 10852.

FITTING

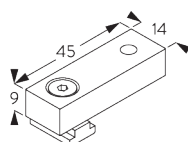
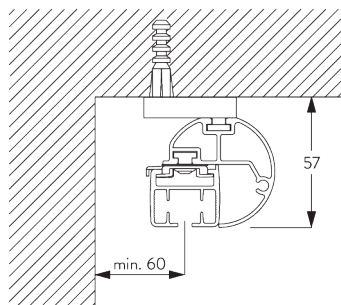
A. FITTING INFORMATION

For detailed fitting information, visit the [Silent Gliss website](#).



B. CEILING FITTING

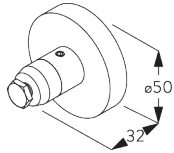
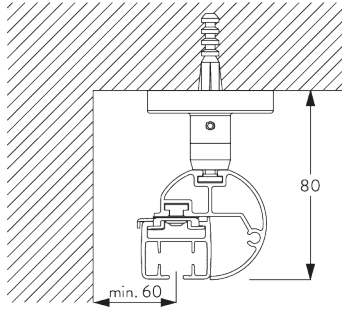
Support SG 6152



SG 6152

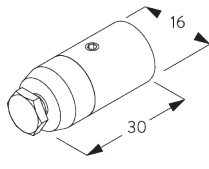
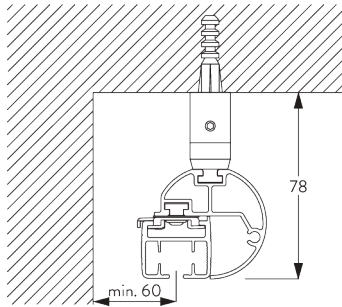
Ceiling support set 9 mm

**Top fix bracket
SG 11668**



SG 11668
Top fix bracket

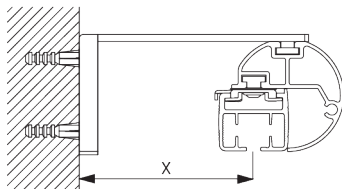
Mini hanger SG 6175



SG 6175
Mini hanger

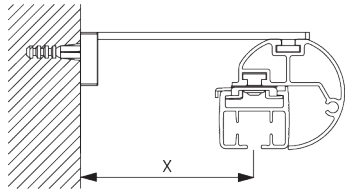
C. WALL FITTING

Smart Fix



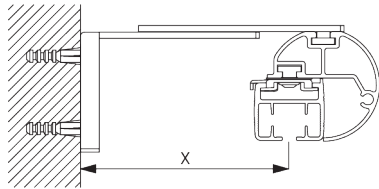
Smart Fix with slot SG 11206 - SG 11208 and SG 6141:
Screw SG 6783 (M4x10) needed.

Smart Fix	X mm	Y mm	Z mm
SG 11206 / SG 11216	35		
SG 11207 / SG 11217	55		
SG 11208 / SG 11218	75		
SG 11209 / SG 11472	64-84		
SG 11154	87-115		
SG 11155	120-148	55	65-70
SG 11156	167-195	55	65-123



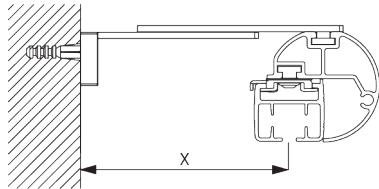
Square Smart Fix with slot SG 11216 - SG 11218 and SG 6141:

Screw SG 6783 (M4x10) needed.



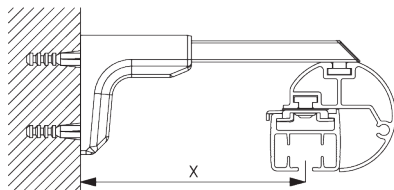
Adjustable Smart Fix SG 11209 and SG 6141:

Screw SG 6784 (M4x8) needed.



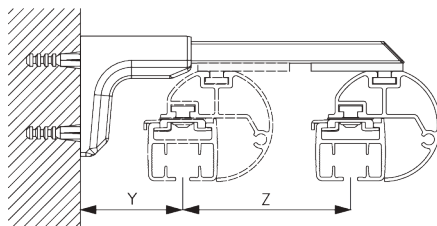
Adjustable Square Smart Fix SG 11472 and SG 6141:

Screw SG 6784 (M4x8) needed.



Universal Smart Fix SG 11154 - SG 11156 and SG 6141:

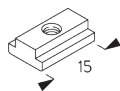
Screw SG 11131 (M4x6) needed.



Double System:

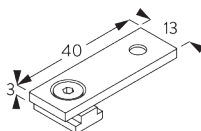
Universal Smart Fix SG 11155 - SG 11156 and SG 6151:

Screw SG 11127 (M4x10) and nut SG 11148 needed.



SG 6141

Clamping piece



SG 6151

Ceiling support set 3 mm



SG 6783

Hexagon socket countersunk screw M4x10 mm



SG 6784

Hexagon socket countersunk screw M4x8 mm



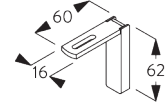
SG 11127
Countersunk head screw
M4x10



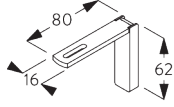
SG 11131
Pan head screw with flange
M4x6



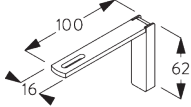
SG 11148
Nut



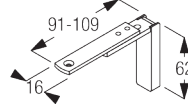
SG 11206
Smart Fix with slot 60 mm



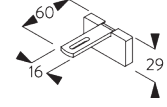
SG 11207
Smart Fix with slot 80 mm



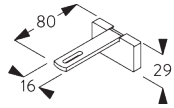
SG 11208
Smart Fix with slot 100 mm



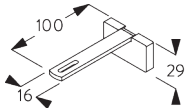
SG 11209
Adjustable Smart Fix



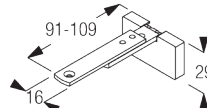
SG 11216
Square Smart Fix with slot 60 mm



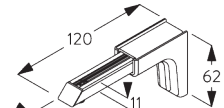
SG 11217
Square Smart Fix with slot 80 mm



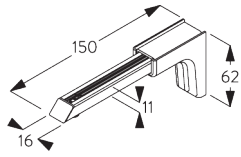
SG 11218
Square Smart Fix with slot 100 mm



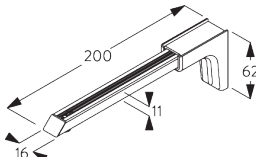
SG 11472
Adjustable Square Smart Fix



SG 11154
Universal Smart Fix 120 mm

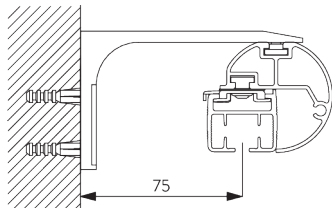


SG 11155
Universal Smart Fix 150 mm

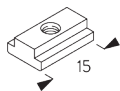


SG 11156
Universal Smart Fix 200 mm

**Fillet Bracket
SG 11669**



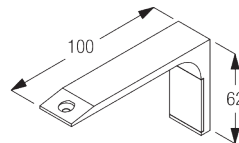
Screw SG 6784 (M4x8) needed.
Recommended for straight systems only.



SG 6141
Clamping piece



SG 6784
Hexagon socket countersunk
screw M4x8 mm



SG 11669
Fillet bracket

DESIGN & SYSTEM OPTIONS

A. ENDCAPS



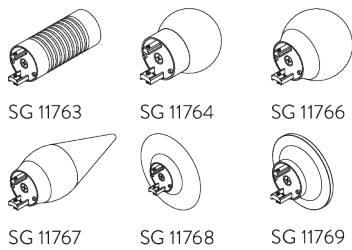
Endcaps:

- SG 11605 Flush endcap 50 mm
- SG 11651 Stud endcap 50 mm
- SG 11652 Design endcap 50 mm

Please note:

- Without finials, poles are supplied as standard with flush fitting endcaps SG 11605 (left).
- Alternatively, stud endcaps SG 11651 can be selected at no additional cost.

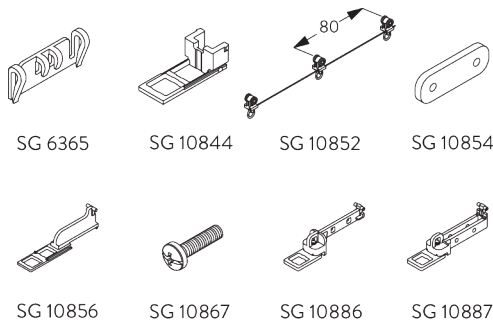
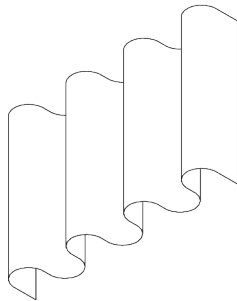
B. FINIALS



Finials are decorative elements that fit on at the end of the pole:

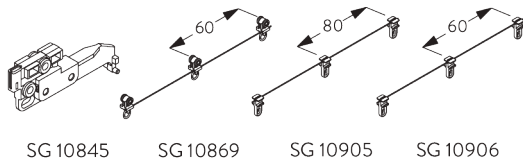
- SG 11763 Groove cylinder 50 mm
- SG 11764 Glass ball 50 mm
- SG 11766 Ball end 50 mm
- SG 11767 Spear 50 mm
- SG 11768 Ellipse 50 mm
- SG 11769 Taper 50 mm

C. WAVE WITH SG 5600

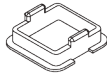


Standard components with SG 5600:

- SG 6365 Wave hanger
- SG 10844 Wave end stop
- SG 10852 Wave 2C roller cord, 80 mm
- SG 10854 Wave overlap arm support
- SG 10856 Wave end stop, belt return
- SG 10867 Panhead screw
- SG 10886 Wave extension
- SG 10887 Wave overlap arm set



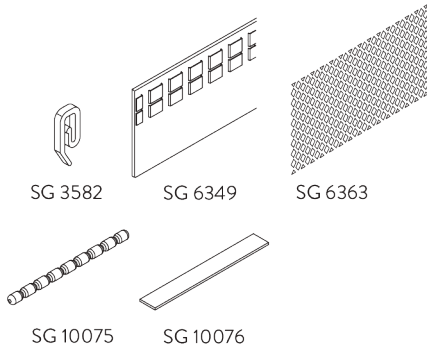
SG 10845 SG 10869 SG 10905 SG 10906



SG 10924

Optional components with SG 5600:

- SG 10845 Wave master carrier single stack 80 mm
- SG 10869 Wave 2C roller cord, 60 mm (no single stack)
- SG 10905 Wave glider cord, 80 mm
- SG 10906 Wave glider cord, 60 mm (no single stack)
- SG 10924 Wave glider support

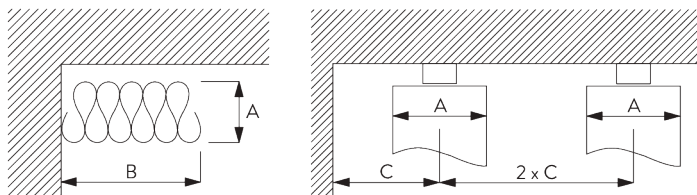


SG 3582 SG 6349 SG 6363
SG 10075 SG 10076

Curtain components with SG 5600:

- SG 3582 Hook
- SG 6349 Wave curtain tape
- SG 6363 Wave top hemming tape
- SG 10075 Lead weight 50 gr/m
- SG 10076 Fabric weight

Wave stack depth - 2C roller / glider cord (standard components)



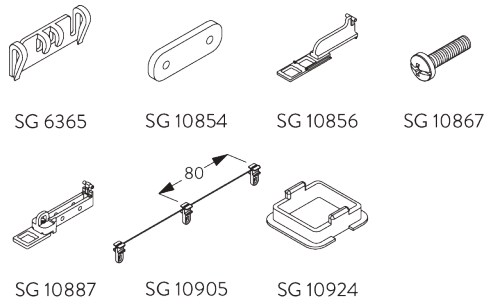
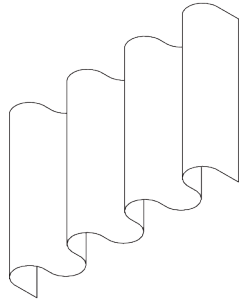
A = Stack depth
B = Stack size
C = Min. distance

Roller / glider cord SG 10852 / 10905	Pockets between hooks	Approx. curtain fullness	Stack depth A	Stack size B*	Min distance C
80	6	~2.1	140	210 per metre of track	90
80	7	~2.3	160	210 per metre of track	100

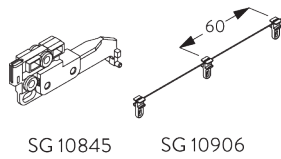
Roller / glider cord SG 10869 / 10906	Pockets between hooks	Approx. curtain fullness	Stack depth A	Stack size B*	Min distance C
60	4	~2.1	100	260 per metre of track	70
60	5	~2.3	120	260 per metre of track	80

*Stack size B plus 195 mm for each curtain stack

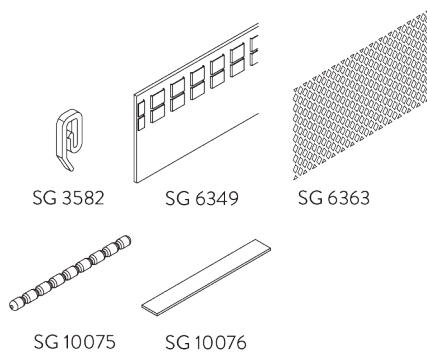
**D. WAVE WITH
SG 5100**



- Standard components with SG 5100:*
- SG 6365 Wave hanger
 - SG 10854 Wave overlap arm support
 - SG 10856 Wave end stop, belt return
 - SG 10867 Panhead screw
 - SG 10887 Wave overlap arm set
 - SG 10905 Wave glider cord 80 mm
 - SG 10924 Wave glider support

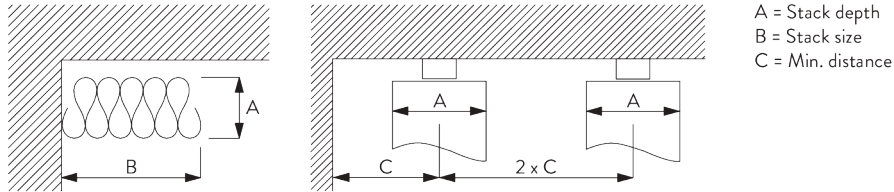


- Optional components with SG 5100:*
- SG 10845 Wave master carrier single stack 80 mm
 - SG 10906 Wave glider cord 60 mm (no single stack)



- Curtain components with SG 5100:*
- SG 3582 Hook
 - SG 6349 Wave curtain tape
 - SG 6363 Wave top hemming tape
 - SG 10075 Lead weight 50 gr/m
 - SG 10076 Fabric weight

Wave stack depth - glider cord (standard components)



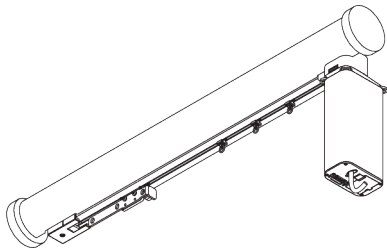
Glider cord SG 10905	Pockets between hooks	Approx. curtain fullness	Stack depth A	Stack size B*	Min distance C
80	6	~2.1	140	180 per metre of track	90
80	7	~2.3	160	180 per metre of track	100

Glider cord SG 10906	Pockets between hooks	Approx. curtain fullness	Stack depth A	Stack size B*	Min distance C
60	4	~2.1	100	230 per metre of track	70
60	5	~2.3	120	230 per metre of track	80

*Stack size B plus 195 mm for each curtain stack

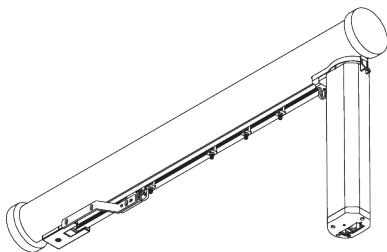
MOTORS & CONTROLS

Electric curtain track system SG 5600



For detailed motor features and specifications and control options, refer to SG 5600 catalogue.

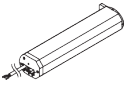

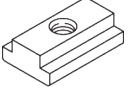
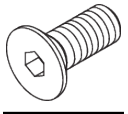
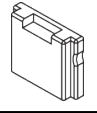
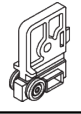
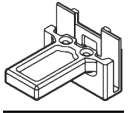
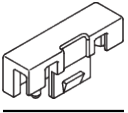
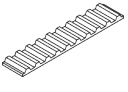
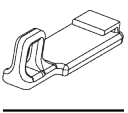
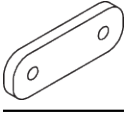
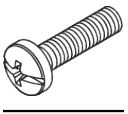


Electric curtain track system SG 5100

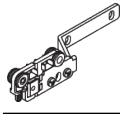
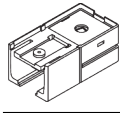
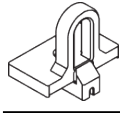




For detailed motor features and specifications and control options, refer to SG 5100 catalogue.

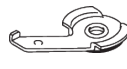

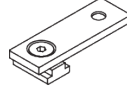
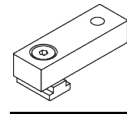
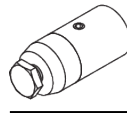
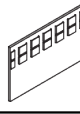
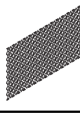
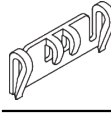
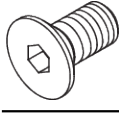
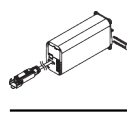
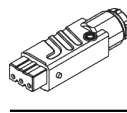
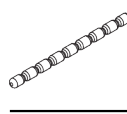
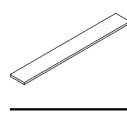
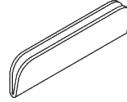
PARTS

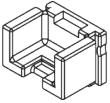
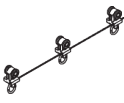
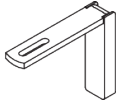
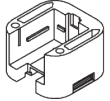
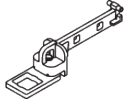
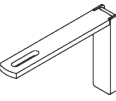
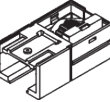
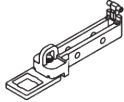
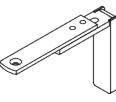
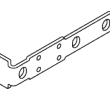
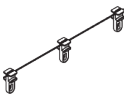
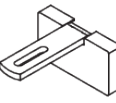
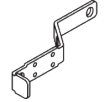
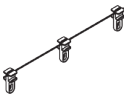
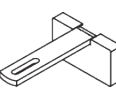
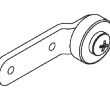
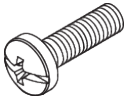
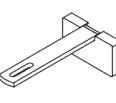
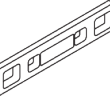
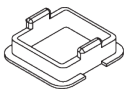
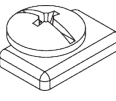
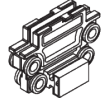
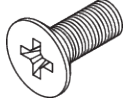
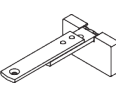



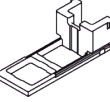
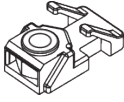

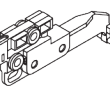
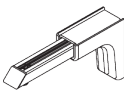

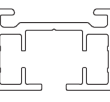
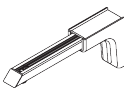
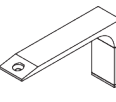
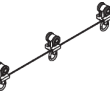
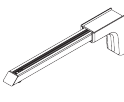
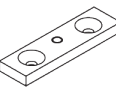

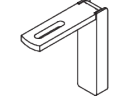
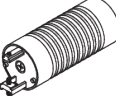
A. STANDARD PARTS

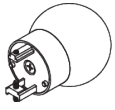
	SG 5190 Motor 100-240V AC, 1/130, radio receiver
	SG 6086 Spring stop
	SG 6141 Clamping piece
	SG 6783 Hexagon socket countersunk screw M4x10 mm
	SG 10815 Cover
	SG 10822 Master carrier
	SG 10823 Belt connector arm
	SG 10824 Belt connector pin
	SG 10825 Belt
	SG 10836 Mask pair stack
	SG 10854 Wave overlap plate
	SG 10867 Pan head screw Freedriv M4x16
	SG 10927 Hook
	SG 10931 Roller

	SG 10936 Overlap arm
	SG 10940 Guide return
	SG 10945 End stop
	SG 11605 Flush end cap 50 mm
	SG 11608 Profile

B. OPTIONAL PARTS

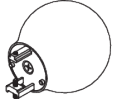
	SG 3004 Clamp
	SG 3582 Hook
	SG 6151 Ceiling support set 3 mm
	SG 6152 Ceiling support set 9 mm
	SG 6175 Mini hanger
	SG 6349 Wave curtain tape
	SG 6363 Wave top hemming tape
	SG 6365 Wave hanger
	SG 6784 Hexagon socket countersunk screw M4x8 mm
	SG 9060 Motor 100-250V AC & 24V DC
	SG 9917 Hirschmann portable socket-outlet STAK 3 N
	SG 10075 Lead weight 50 g/m
	SG 10076 Fabric weight
	SG 10725 Programming distance holder

	SG 10816 Cover		SG 10869 Wave 2C roller cord 60 mm		SG 11207 Smart Fix with slot 80 mm
	SG 10817 Motor holder		SG 10886 Wave extension		SG 11208 Smart Fix with slot 100 mm
	SG 10819 Belt return		SG 10887 Wave extension		SG 11209 Adjustable Smart Fix
	SG 10820 Overlap arm		SG 10905 Wave glider cord 80 mm		SG 11216 Square Smart Fix with slot 60 mm
	SG 10821 Overlap arm		SG 10906 Wave glider cord 60 mm		SG 11217 Square Smart Fix with slot 80 mm
	SG 10826 Overlap arm support		SG 10923 Pan head screw Freedriv M4x12		SG 11218 Square Smart Fix with slot 100 mm
	SG 10837 Pilot runner		SG 10924 Wave glider support		SG 11295 End stop
	SG 10838 Pilot runner		SG 11127 Countersunk head screw M4x10		SG 11472 Adjustable Square Smart Fix
	SG 10840 2C roller		SG 11131 Pan head screw with flange M4x6		SG 11651 Stud endcap 50 mm
	SG 10844 Wave end stop		SG 11148 Nut		SG 11652 Design endcap 50 mm
	SG 10845 Wave master carrier		SG 11154 Universal Smart Fix 120 mm		SG 11668 Top fix bracket
	SG 10850 Profile		SG 11155 Universal Smart Fix 150 mm		SG 11669 Fillet bracket
	SG 10852 Wave 2C roller cord 80 mm		SG 11156 Universal Smart Fix 200 mm		SG 11671 Plate
	SG 10856 Wave extension		SG 11206 Smart Fix with slot 60 mm		SG 11763 Groove cylinder 50 mm



SG 11764

Glass ball 50 mm



SG 11766

Ball end 50 mm



SG 11767

Spear 50 mm



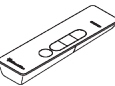
SG 11768

Ellipse 50 mm



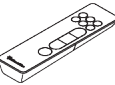
SG 11769

Taper 50 mm



SG 11931

Radio hand held 1 channel



SG 11932

Radio hand held 6 channel



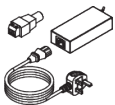
SG 11936

Radio wall transmitter 1 channel



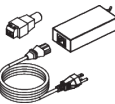
SG 11937

Radio wall transmitter 6 channel



SG 11963

Power supply set 24V/4A with GB plug



SG 11964

Power supply set 24V/4A with US plug
