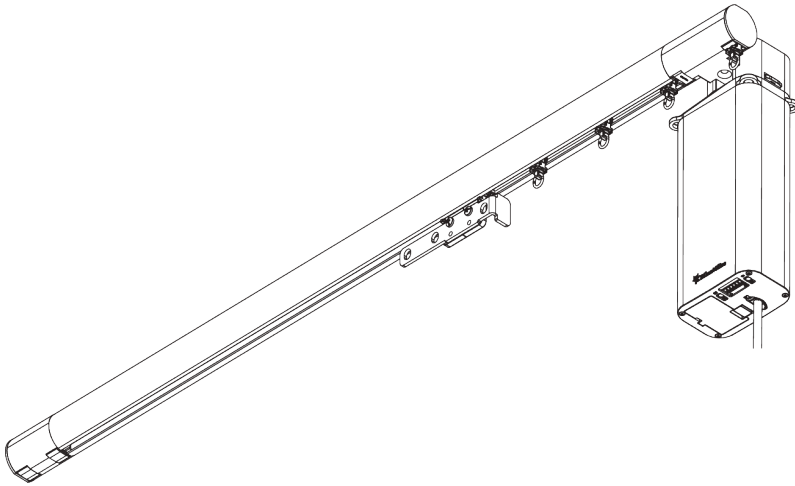
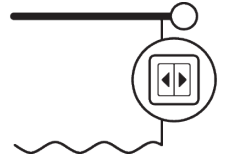


SG 7670



PRODUCT INFORMATION

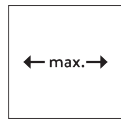
- **Operation:** motorised
- **Range:** S - L
- **Fitting:** ceiling, wall
- **Colours:** white RAL 9016, various colours / finishes
- **Fabrics:** refer to Silent Gliss fabric collection

Features:

- 2-component (2C) roller technology
- Wave (2C)
- Various control options
- Touch & Go
- Manual override
- Matching endcaps and brackets / bracket covers
- Range of decorative finials

SYSTEM SPECIFICATIONS

A. SYSTEM DIMENSIONS



6 m



45 kg

Max. curtain weights with 2C rollers / Wave rollers

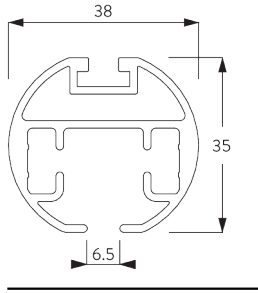
	2 m	4 m	6 m
	25	45	45
	25	45	45
	25	35	35
	25	35	35
	25	30	30
	25	30	30
	20	20	20
	20	20	20
(kg max.)			

Max. curtain weights with Wave gliders

	2 m	4 m	6 m
	20	25	25
	20	25	25
	20	20	20
	20	20	20
	20	20	20
	20	20	20
	20	20	15
	20	20	15
(kg max.)			

B. PROFILE

Profile Information

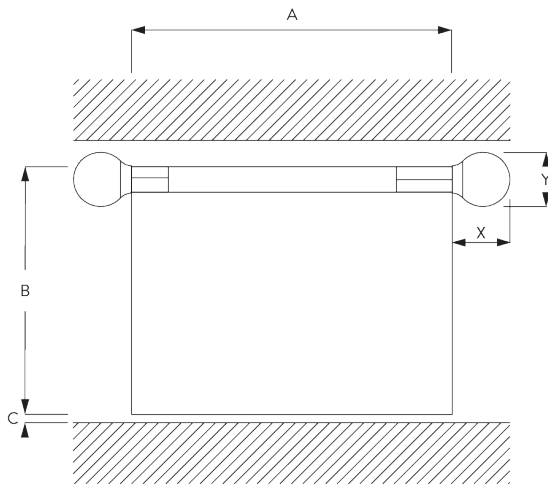


SG 12020

Profile



C. HOW TO MEASURE



A: System width without finials
 B: System height
 C: Distance between floor and fabric
 X: Finial width
 Y: Finial height

Finial Measurements

		38 mm	
		X	Y
	SG 12031	2	38
	SG 12032	12	43
	SG 12033	22	64
	SG 12036	81	76
	SG 12037	148	61
	SG 12038	33	114
	SG 12039	26	76

D. SPECIFICATION

TEXT

Silent Gliss SG 7670 Metropole electrically operated curtain pole system. Comprises 38 mm aluminium profile SG 12020 in [white / matt white / ecru / taupe / ochre / sand / bronze / antique bronze / gunmetal / black / charcoal / anodic grey / slate grey]. Complete with endcaps [flush / stud / design] endcaps - or - finials [ball / spear / ellipse / taper / glass ball / groove cylinder]. Wall fit with [smart fix brackets SG 11208-11209 / square smart fix brackets SG 11218-11219 / universal smart fix brackets SG 11154 -11156 / fillet bracket SG 11669]. Ceiling fit with [support plate SG 6151 / top fix bracket SG 11668]. Supplied with [2C rollers SG 10840 / Wave 2C glider cord 60 mm SG 10906 / Wave 2C 80 mm glider cord SG 10905 / 2C Wave roller glider cord 60 mm SG 10869 / 2C Wave roller glider cord 80 mm SG 10852].

Supplied made to measure with SG motor SG 9060. Includes internal drive belt SG 10825, motor holder SG 11909. Requires mains or 24v DC power supply (not included). Operation by [mains or dry contact switching / SG Control N with module SG 11939 / Move 4.0 app with module SG 11939 / SG Control R with module SG 11411]. Motor SG 9060 is Matter enabled with module SG 11939 module. Features 'Touch and Go' operation and manual override in the event of power failure. Permanent memory limit switching positions. All wiring to be strictly in accordance with Silent Gliss wiring diagrams.

Silent Gliss SG 7670 Metropole electrically operated curtain pole system with Smart by Silent Gliss enabled motor.

Comprises 38 mm aluminium profile SG 12020 in [white / matt white / ecru / taupe / ochre / sand / bronze / antique bronze / gunmetal / black / charcoal / anodic grey / slate grey]. Complete with [flush / stud / design] endcaps or [ball / spear / ellipse / taper / glass ball / groove cylinder] finials. Wall fit with [smart fix brackets SG 11208-11209 / square smart fix brackets 11218-11219 / universal smart fix brackets SG 11154 -11156 / fillet bracket SG 11669]. Ceiling fit with [plate SG 6151 / top fix bracket SG 11668]. Supplied with [2C rollers SG 10840 / Wave 2C glider cord 60 mm SG 10906 / Wave 2C 80 mm glider cord SG 10905 / 2C Wave roller glider cord 60 mm SG 10869 / 2C Wave roller glider cord 80 mm SG 10852].

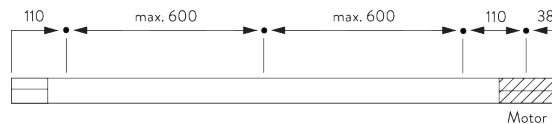
Supplied made to measure with SG motor SG 9060 with smart module SG 11270. Includes internal drive belt SG 10825, motor holder SG 11909. Requires mains or 24v DC power supply (not included). Operation by compatible third-party control system offering full two-way communication. Only to be used in conjunction with associated 'Smart by Silent Gliss' Gateway and components. Features 'Touch and Go' operation and manual override in the event of power failure. Permanent memory limit switching positions. All wiring to be strictly in accordance with Silent Gliss wiring diagrams.

FITTING

A. FITTING INFORMATION

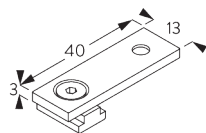
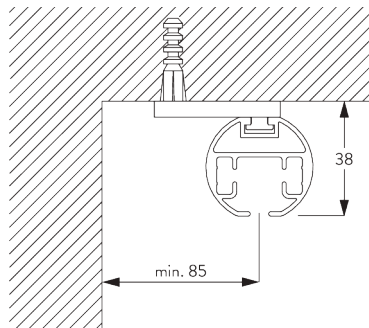
Fixing points

For detailed fitting information, visit the Silent Gliss website.



B. CEILING FITTING

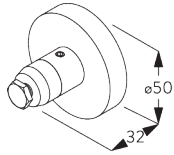
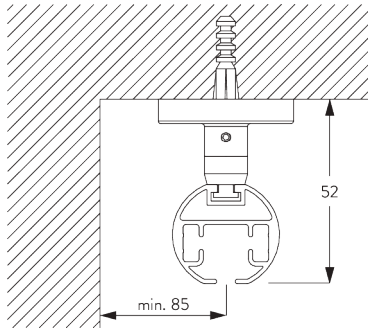
Support SG 6151



SG 6151

Ceiling support set 3 mm

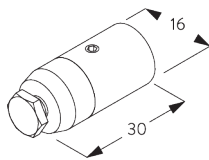
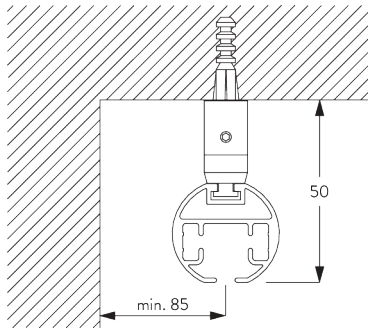
**Top fix bracket
SG 11668**



SG 11668

Top fix bracket

Mini hanger SG 6175

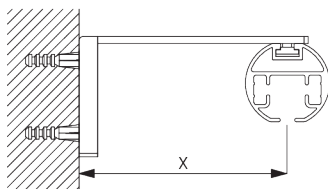


SG 6175

Mini hanger

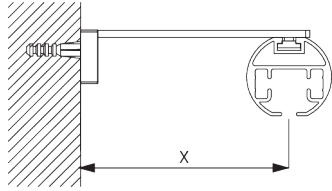
C. WALL FITTING

Smart Fix



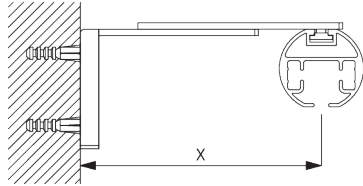
Smart Fix with slot SG 11208 and SG 6141:
Screw SG 6783 (M4x10) needed.

<i>Smart Fix</i>	<i>X mm</i>	<i>Y mm</i>	<i>Z mm</i>
SG 11208 / SG 11218	91		
SG 11209 / SG 11472	85-100		
SG 11154	102-130		
SG 11155	132-160		
SG 11156	182-210	85	101



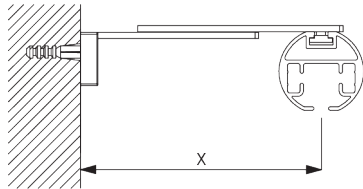
Square Smart Fix with slot SG 11218 and SG 6141:

Screw SG 6783 (M4x10) needed.



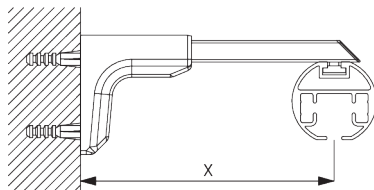
Adjustable Smart Fix SG 11209 and SG 6141:

Screw SG 6784 (M4x8) needed.



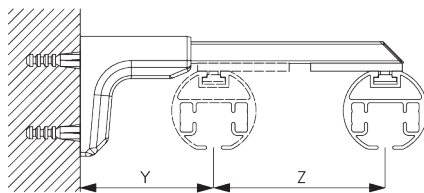
Adjustable Square Smart Fix SG 11472 and SG 6141:

Screw SG 6784 (M4x8) needed.



Universal Smart Fix SG 11154 - SG 11156 and SG 6141:

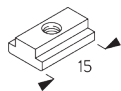
Screw SG 11131 (M4x6) needed.



Double System:

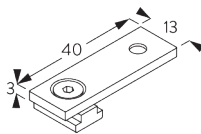
Universal Smart Fix SG 11155 - SG 11156 and SG 6151:

Screw SG 11127 (M4x10) and nut SG 11148 needed.



SG 6141

Clamping piece



SG 6151

Ceiling support set 3 mm



SG 6783

Hexagon socket countersunk screw M4x10 mm



SG 6784

Hexagon socket countersunk screw M4x8 mm



SG 11127

Countersunk head screw
M4x10



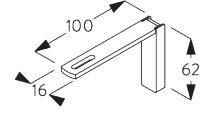
SG 11131

Pan head screw with flange
M4x6



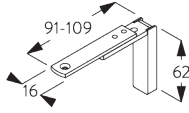
SG 11148

Nut



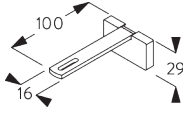
SG 11208

Smart Fix with slot 100 mm



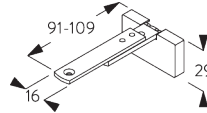
SG 11209

Adjustable Smart Fix



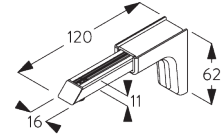
SG 11218

Square Smart Fix with slot
100 mm



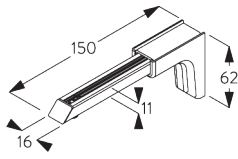
SG 11472

Adjustable Square Smart Fix



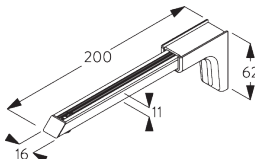
SG 11154

Universal Smart Fix 120 mm



SG 11155

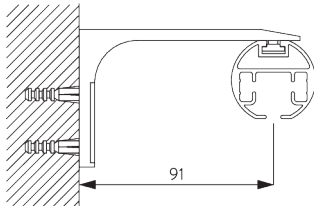
Universal Smart Fix 150 mm



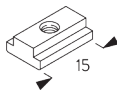
SG 11156

Universal Smart Fix 200 mm

Fillet Bracket SG 11669



Screw SG 6784 (M4x8) needed.
Recommended for straight systems only.



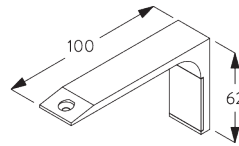
SG 6141

Clamping piece



SG 6784

Hexagon socket countersunk
screw M4x8 mm



SG 11669

Fillet bracket

DESIGN & SYSTEM OPTIONS

A. ENDCAPS



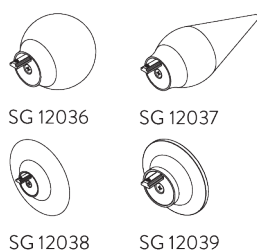
Endcaps:

- SG 12031 Flush endcap 38 mm
- SG 12032 Stud endcap 38 mm
- SG 12033 Design endcap 38 mm

Please note:

- Without finials, poles are supplied as standard with flush fitting endcaps SG 12031 (left).
- Alternatively, stud endcaps SG 12032 can be selected at no additional cost.

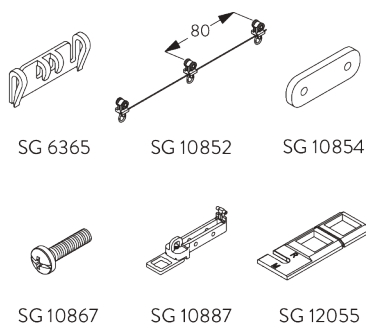
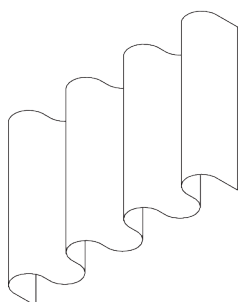
B. FINIALS



Finials are decorative elements that fit on at the end of the pole:

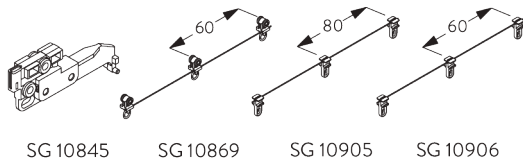
- SG 12036 Ball end 38 mm
- SG 12037 Spear 38 mm
- SG 12038 Ellipse 38 mm
- SG 12039 Taper 38 mm

C. WAVE

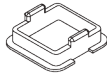


Standard components:

- SG 6365 Wave hanger
- SG 10852 Wave 2C roller cord, 80 mm
- SG 10854 Wave overlap arm support
- SG 10867 Panhead screw
- SG 10887 Wave overlap arm set
- SG 12055 Wave end stop



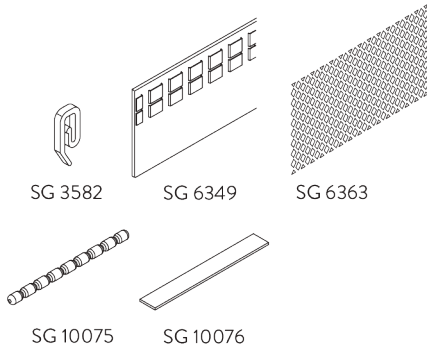
SG 10845 SG 10869 SG 10905 SG 10906



SG 10924

Optional components:

- SG 10845 Wave master carrier single stack 80 mm
- SG 10869 Wave 2C roller cord, 60 mm (no single stack)
- SG 10905 Wave glider cord, 80 mm
- SG 10906 Wave glider cord, 60 mm (no single stack)
- SG 10924 Wave glider support

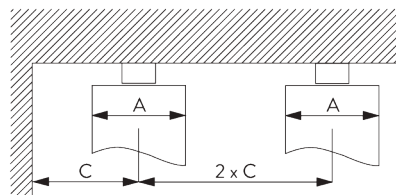
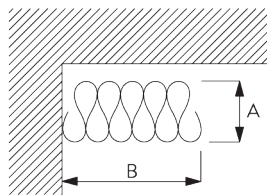


SG 3582 SG 6349 SG 6363
SG 10075 SG 10076

Curtain components:

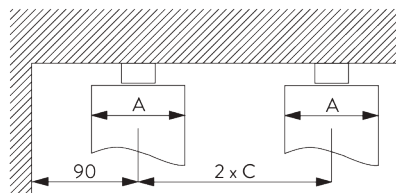
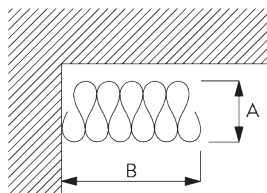
- SG 3582 Hook
- SG 6349 Wave curtain tape
- SG 6363 Wave top hemming tape
- SG 10075 Lead weight 50 gr/m
- SG 10076 Fabric weight

Wave stack depth - 2C roller / glider cord (standard components)



A = Stack depth
B = Stack size
C = Min. distance

Roller / glider cord SG 10852 / 10905	Pockets between hooks	Approx. curtain fullness	Stack depth A	Stack size B*	Min distance C
80	6	~2.1	140	210 per metre of track	90
80	7	~2.3	160	210 per metre of track	100



A = Stack depth
B = Stack size
C = Min. distance

Roller / glider cord SG 10869 / 10906	Pockets between hooks	Approx. curtain fullness	Stack depth A	Stack size B*	Min distance C
60	4	~2.1	100	260 per metre of track	70
60	5	~2.3	120	260 per metre of track	80

*Stack size B plus 195 mm for each curtain stack

MOTORS & CONTROLS

A. MOTOR FEATURES SG 9060


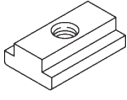
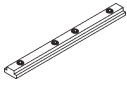
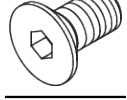
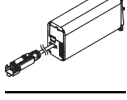
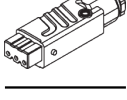
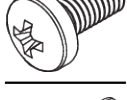
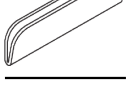
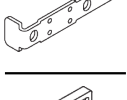
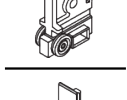
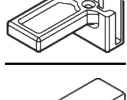
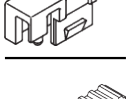
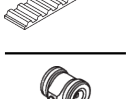
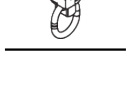
Motor	SG 9060
Motor Features	
Soft start / stop	●
Touch & Go	●
Manual Override	●
Modular radio system (optional)	●
Electronic end-stop	●
Electronic revolution counter (unlimited revolution)	●
Parallel wiring possible without additional relays	●
High-end DC motor with brushless technology	●
Permanent positioning sensor (even without power)	●
100 - 250 V AC and / or 24 V DC in one motor	●
Cable connectable with plug into motor	●
IP class	IP 40
Control Features	
Mains power control	●
Dry contact control	●
Dry contact and / or SG Control N (with radio module)	●
Dry contact and / or SG Control R (with radio module)	●
SG Control N (with radio module)	●
SG Control R (with radio module)	●
Smart by Silent Gliss (with smart module)	●
Suitable for all common home automation systems (with suitable interface)	●
Compatible with Matter (with radio module)	●

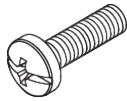
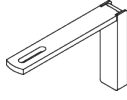
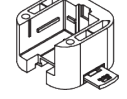

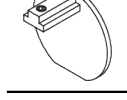
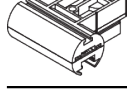
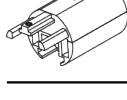
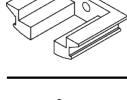
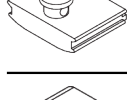
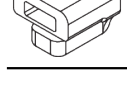
B. MOTOR SPECIFICATIONS SG 9060

Motor	Motor dimensions	Voltage AC	Voltage DC	Current	Frequency	System speed / sec	Frequency receiver
SG 9060	L 206 x W 60 x D 96	100 - 250 V AC	24 V DC	1.3 - 0.5 A	50 - 60 Hz	21 cm / sec	n/a
SG 9060 w/ SG Control N	L 226 x W 60 x D 96	100 - 250 V AC	24 V DC	1.3 - 0.5 A	50 - 60 Hz	21 cm / sec	433 MHz
SG 9060 w/ SG Control R	L 226 x W 60 x D 96	100 - 250 V AC	24 V DC	1.3 - 0.5 A	50 - 60 Hz	21 cm / sec	433 MHz
SG 9060 w/ Smart by SG	L 226 x W 60 x D 96	100 - 250 V AC	24 V DC	1.3 - 0.5 A	50 - 60 Hz	21 cm / sec	Smart by SG


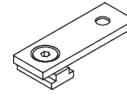
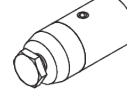
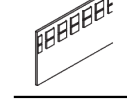
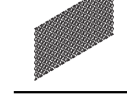
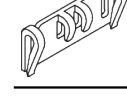
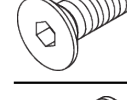
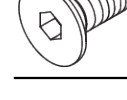
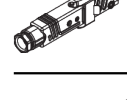
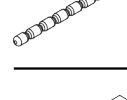
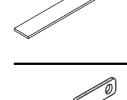
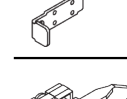
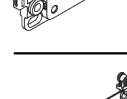
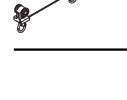
PARTS

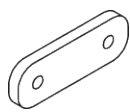
A. STANDARD PARTS

	SG 6015 Spring
	SG 6141 Clamping piece
	SG 6173 Connection bridge
	SG 6784 Hexagon socket countersunk screw M4x8 mm
	SG 9060 Motor 100-250V AC & 24V DC
	SG 9917 Hirschmann portable socket-outlet STAK 3 N
	SG 10492 Pan head screw M4x8
	SG 10725 Programming distance holder
	SG 10820 Overlap arm
	SG 10822 Master carrier
	SG 10823 Belt connector arm
	SG 10824 Belt connector pin
	SG 10825 Belt
	SG 10840 2C roller

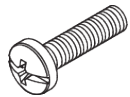
	SG 10923 Pan head screw Freedriv M4x12
	SG 11208 Smart Fix with slot 100 mm
	SG 11909 Motor holder
	SG 12020 Profile
	SG 12031 Flush end cap 38 mm
	SG 12046 Motor holder right
	SG 12049 Belt return
	SG 12052 Holder for Roller
	SG 12053 Cover
	SG 12058 Belt connector adapter

B. OPTIONAL PARTS

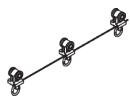
	SG 3582 Hook
	SG 6151 Ceiling support set 3 mm
	SG 6175 Mini hanger
	SG 6349 Wave curtain tape
	SG 6363 Wave top hemming tape
	SG 6365 Wave hanger
	SG 6783 Hexagon socket countersunk screw M4x10 mm
	SG 6784 Hexagon socket countersunk screw M4x8 mm
	SG 9916 Hirschmann plug set
	SG 10075 Lead weight 50 g/m
	SG 10076 Fabric weight
	SG 10821 Overlap arm
	SG 10845 Wave master carrier
	SG 10852 Wave 2C roller cord 80 mm



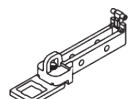
SG 10854
Wave overlap plate



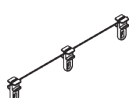
SG 10867
Pan head screw Freedriv M4x16



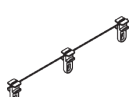
SG 10869
Wave 2C roller cord 60 mm



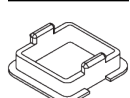
SG 10887
Wave extension



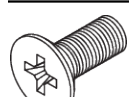
SG 10905
Wave glider cord 80 mm



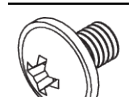
SG 10906
Wave glider cord 60 mm



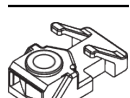
SG 10924
Wave glider support



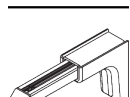
SG 11127
Countersunk head screw M4x10



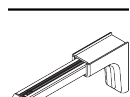
SG 11131
Pan head screw with flange M4x6



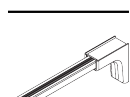
SG 11148
Nut



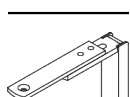
SG 11154
Universal Smart Fix 120 mm



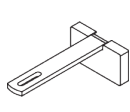
SG 11155
Universal Smart Fix 150 mm



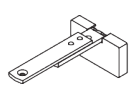
SG 11156
Universal Smart Fix 200 mm



SG 11209
Adjustable Smart Fix



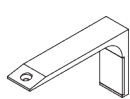
SG 11218
Square Smart Fix with slot 100 mm



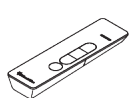
SG 11472
Adjustable Square Smart Fix



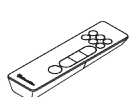
SG 11668
Top fix bracket



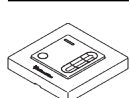
SG 11669
Fillet bracket



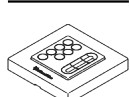
SG 11931
Radio hand held 1 channel



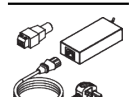
SG 11932
Radio hand held 6 channel



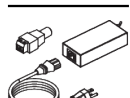
SG 11936
Radio wall transmitter 1 channel



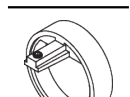
SG 11937
Radio wall transmitter 6 channel



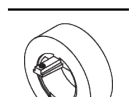
SG 11963
Power supply set 24V/4A with GB plug



SG 11964
Power supply set 24V/4A with US plug



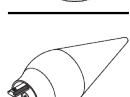
SG 12032
Stud end cap 38 mm



SG 12033
Design end cap 38 mm



SG 12036
Ball end 38 mm



SG 12037
Spear 38 mm



SG 12038
Ellipse 38 mm



SG 12039
Taper 38 mm



SG 12045
Motor holder left



SG 12055
Wave end stop