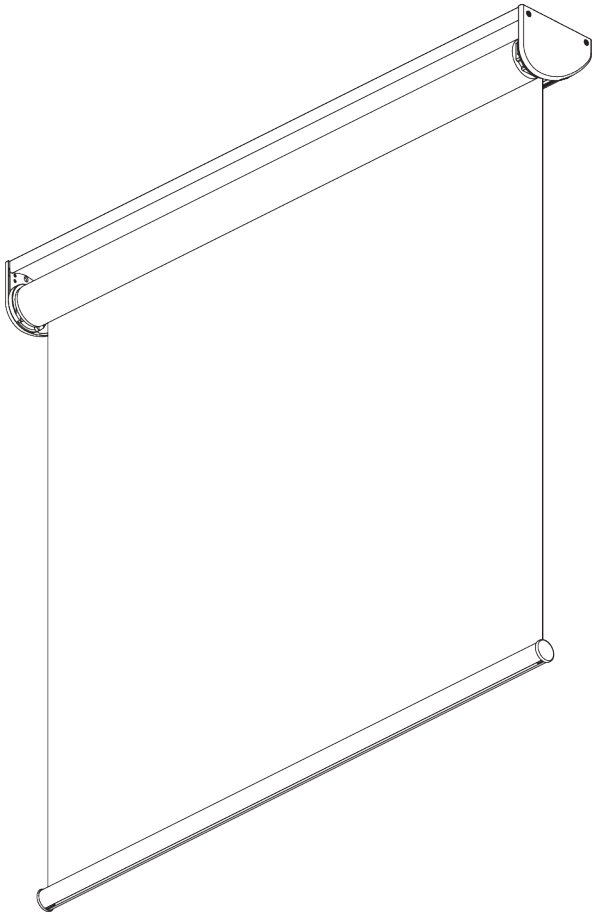
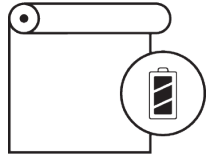


SG 4955



PRODUCT INFORMATION

- **Operation:** motorised (battery operated)
- **Range:** S - M
- **Fitting:** ceiling, wall, recess
- **Colours:** white RAL 9016; special colours or anodised aluminum possible
- **Fabrics:** refer to Silent Gliss fabric collection

Features:

- Various control options
- Easy exchange of batteries
- Click-in brackets
- Installation profile

SYSTEM SPECIFICATIONS

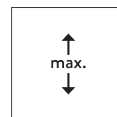
A. SYSTEM DIMENSIONS



2.4 m



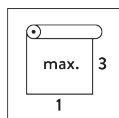
60 cm



4 m



2.5 kg



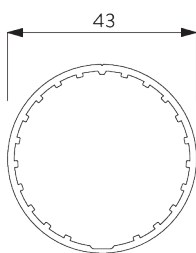
Recommended width /
height ratio
max. 1:3

Maximum system drop

Fabric thickness	mm	0.15	0.20	0.25	0.30	0.35	0.40	0.45	0.50	0.55	0.60	0.65	0.70	0.75	0.80
Max. system drop	cm	400	400	400	400	400	400	390	350	320	290	270	250	230	220

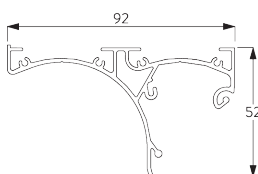
B. PROFILE

Profile information



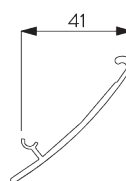
SG 10532

Tube ø 43 mm



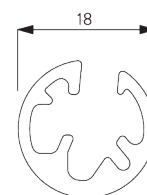
SG 11081

Profile



SG 11082

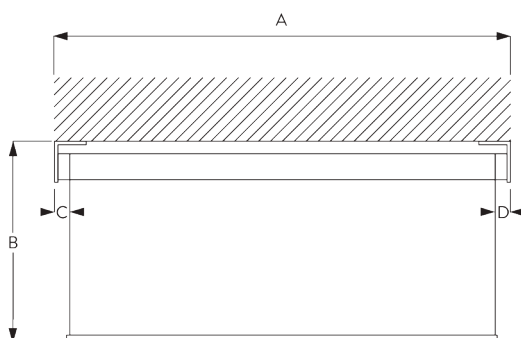
Profile



SG 10872

Bottom bar

C. HOW TO MEASURE



A: System width
B: System height
C: Light gap: 14 mm
D: Light gap operation side: 17 mm



D. SPECIFICATION

TEXT

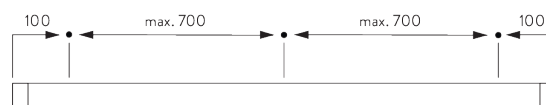
Silent Gliss SG 4955 Battery Operated Roller Blind System. Roller blind. Roller blind system for light to medium size blind applications up to 2.4m wide. Supplied made to measure and complete comprising anodised aluminium barrel SG 10532 and profile cover SG 11081 with lid SG 11082. Fixed to wall / ceiling / inside recess with clamp SG 3044 or direct fixed with installation support plate SG 11086. Integral motor SG 11076 with battery pack concealed in fascia profile. Powered by 8no. lithium AA cells. Round bottom bar SG 4221 in powder coated white (other shapes and colours available). Operation by single channel radio wall switch SG 10949 as standard. Other optional control options are two channel wall switch SG 10950 and five channel wall switch SG 10951. Optional radio remote handsets are also available (single channel SG 10946 / two channel SG 10947 / six channel SG 10948).

FITTING

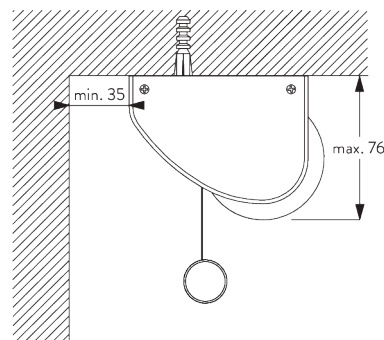
A. FITTING INFORMATION

For detailed fitting information, visit the Silent Gliss website.

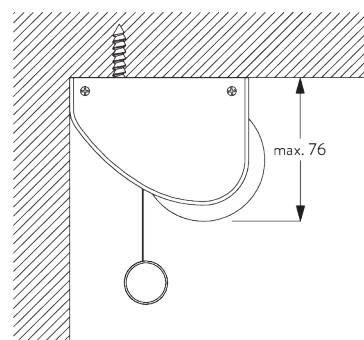
Fixing points



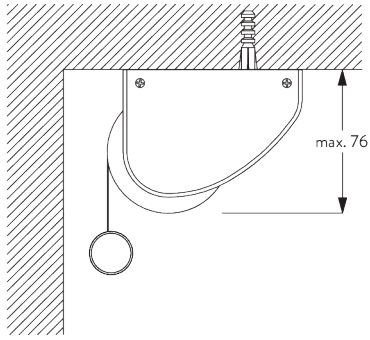
B. CEILING FITTING



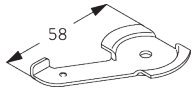
Clamp SG 3044



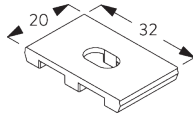
Direct fitting



Reversed fitting

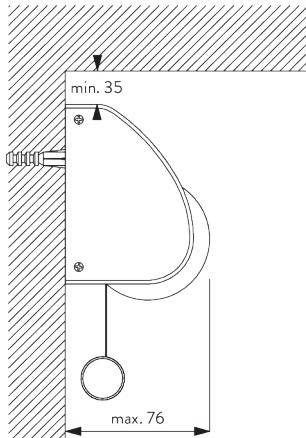


SG 3044
Clamp

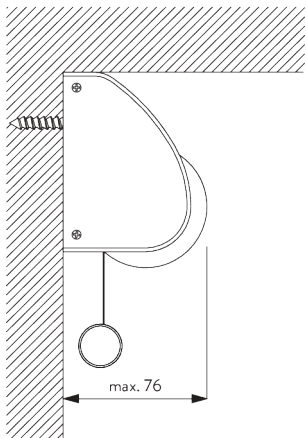


SG 11086
Installation support plate

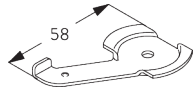
C. WALL FITTING



Clamp SG 3044

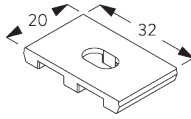


Direct fitting



SG 3044

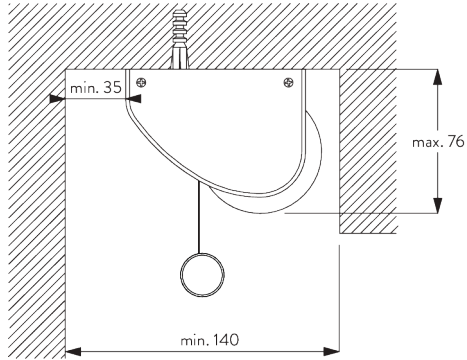
Clamp



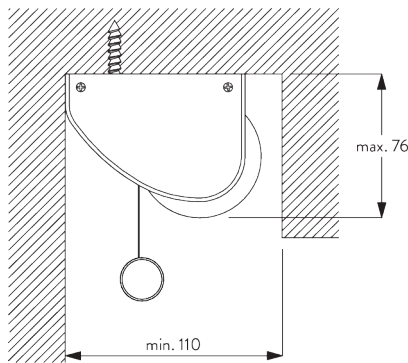
SG 11086

Installation support plate

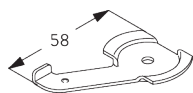
D. RECESS FITTING



Clamp SG 3044

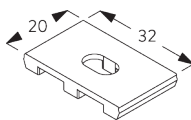


Direct fitting



SG 3044

Clamp

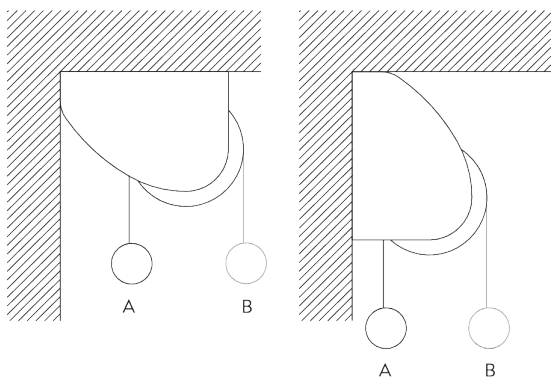


SG 11086

Installation support plate

SYSTEM OPTIONS

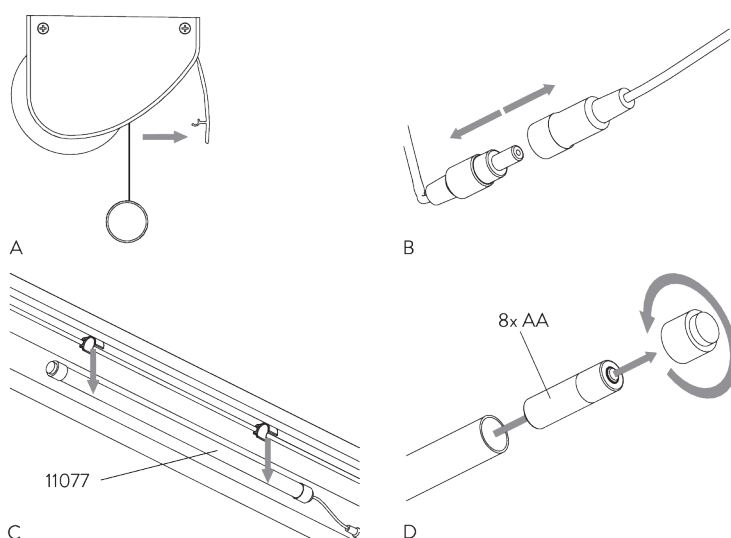
A. FABRIC ROLL-OFF



A: Fabric roll-off window side (standard)

B: Fabric roll-off room side (option)

B. BATTERY EXCHANGE



MOTOR & CONTROLS

A. MOTOR FEATURES

Motor	SG 11076
Motor Features	
Soft start / stop	•
Built-in receiver	•
Electronic end-stop	•
Electronic revolution counter (unlimited revolution)	•
IP class	IP 44
Control Features	
SG Control A	•

B. MOTOR SPECIFICATIONS

Motor	Light gaps C / D = driving side	Min. system width	Voltage	Current	Speed	Frequency receiver
SG 11076	C: 14 mm / D: 17 mm	60 cm	12 V DC	0.55 A	30 rpm	433 MHz

C. OPERATION METHODS

See catalogue "controls" for details.


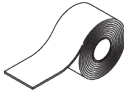
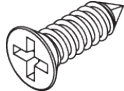
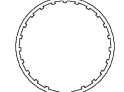
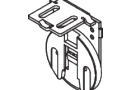


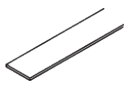
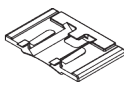



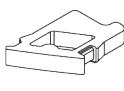

SG Control A



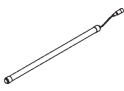

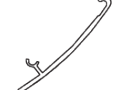



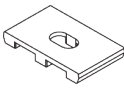
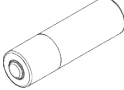
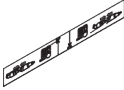


Various radio hand-held and wall transmitters available.



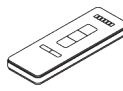



PARTS

A. STANDARD PARTS

	SG 3044 Clamp
	SG 4226 Double tape 30 mm
	SG 10498 Countersunk screw 2.9x9.5
	SG 10532 Tube ø 43 mm
	SG 10543 Bracket
	SG 10544 Bracket
	SG 10557 Tube adapter
	SG 10668 PVC strip 10 mm
	SG 10690 Spacer
	SG 10872 Bottom bar
	SG 10874 End cover
	SG 10949 Radio wall transmitter 1 channel
	SG 11039 Cable protector
	SG 11072 Motor drive

	SG 11075 Tube adapter
	SG 11076 Motor 12V DC, 1.2/30
	SG 11077 Battery box
	SG 11081 Profile
	SG 11082 Profile
	SG 11083 End cover right
	SG 11084 End cover left
	SG 11085 Battery box holder
	SG 11086 Installation support plate
	SG 11099 AA Energizer Ultimate lithium batteries
	SG 11103 Warning sticker

B. OPTIONAL PARTS

	SG 10946 Radio hand held 1 channel
	SG 10947 Radio hand held 2+1 channel
	SG 10948 Radio hand held 6+1 channel
	SG 10950 Radio wall transmitter 2 channel
	SG 10951 Radio wall transmitter 5+1 channel
	SG 11429 Radio timer unit 1 channel