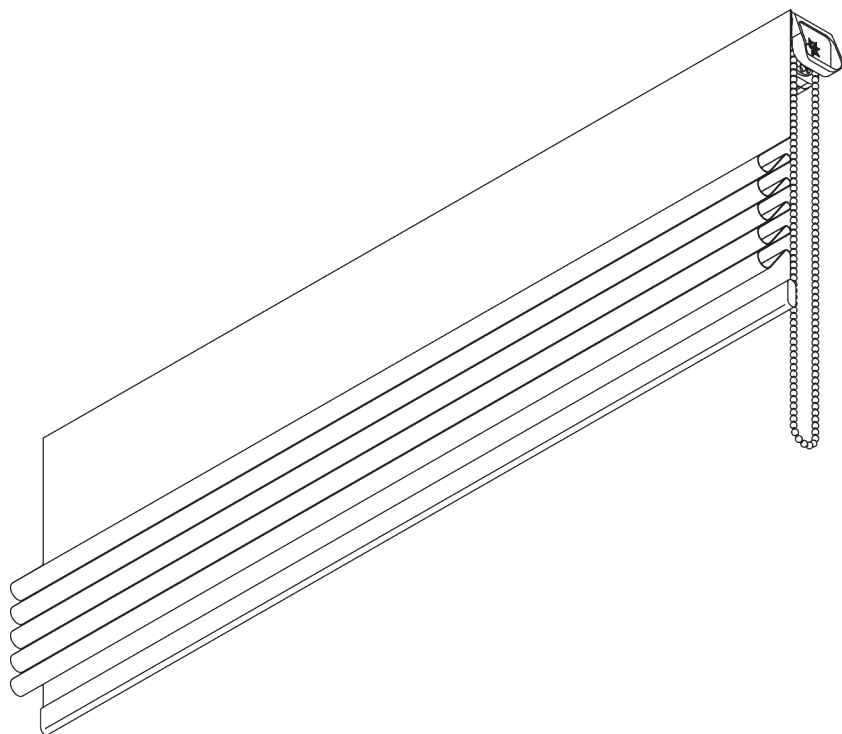


SG 2305



PRODUCT INFORMATION

- **Operation:** chain
- **Range:** S - M
- **Fitting:** ceiling, wall
- **Colours:** white RAL 9016
- **Fabrics:** refer to Silent Gliss fabric collection

Features:

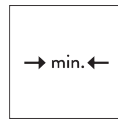
- 1-to-4 gear drive
- Stainless steel bead chain
- Enclosed headrail
- Integrated magnetic child safety end-set

SYSTEM SPECIFICATIONS

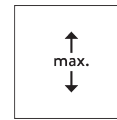
A. SYSTEM DIMENSIONS



3 m



60 cm



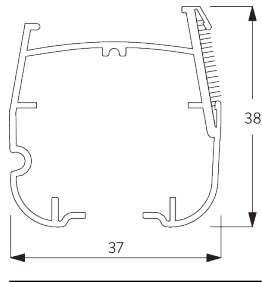
3.4 m



4 kg

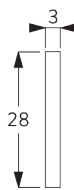
B. PROFILE

Profile information



SG 2301

Velcro profile



SG 2006

Bottom bar 28x3 mm

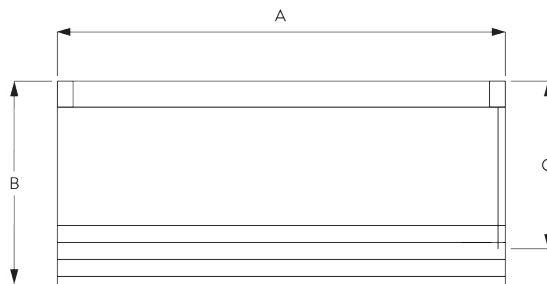


SG 2135

Rod steel ø 3 mm

C. HOW TO MEASURE

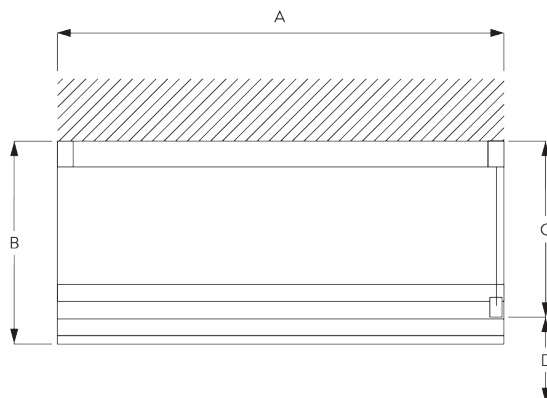
Breakaway child safety chain drive SG 2307



A: System width
B: System height
C: Chain height



Non-breakaway chain drive SG 2317



A: System width
B: System height
C: Chain height
D: Safety retainer SG 10731 min. 150 cm above floor



D. SPECIFICATION TEXT

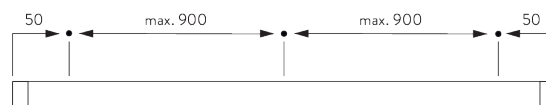
Silent Gliss SG 2305 Chain Operated Roman Blind Headrail System. Comprises headrail SG 2301 made to measure powder coated white finish with bonded hook and loop insert, spools with cord SG 2308 and metal bead chain SG 2311 (optional plastic chain SG 2310). Left / right side hand pull via child safety gear drive set SG 2307 includes endcap, (optional gear drive set without child safety mechanism SG 2317 supplied with chain retainer). Top / face fix using clip bracket SG 2302 at max. 90cm centres (optional face / top fix clamp bracket SG 2346). If supplied with made up blind from Silent Gliss fabric collection includes child safe breakaway components SG 31624 bottom bar set, SG 3069 rod cover (hard / semi hard fold makeup), SG 3165 / 3166 ring (soft fold make-up). Fabric to be attached to headrail profile using loop tape. Compliant to Child Safety Legislation EN 13120.

FITTING

A. FITTING INFORMATION

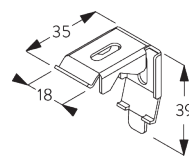
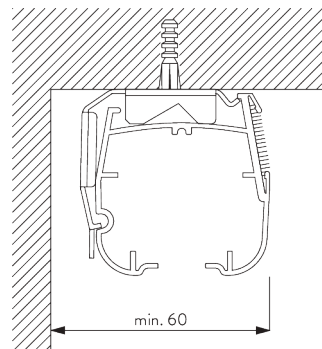
For detailed fitting information, visit the [Silent Gliss website](#).

Fixing points



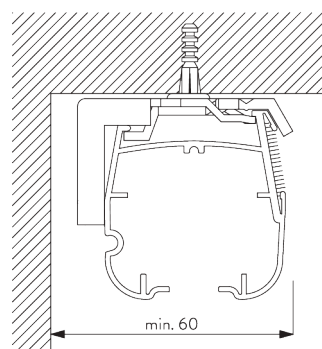
B. CEILING FITTING

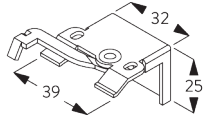
Bracket SG 2302



SG 2302
Bracket

Bracket SG 2346



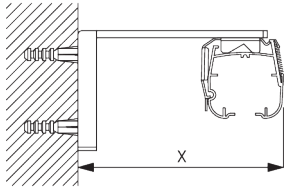


SG 2346

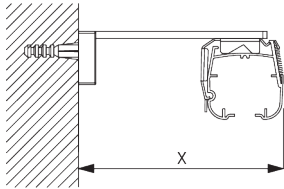
Bracket

C. WALL FITTING

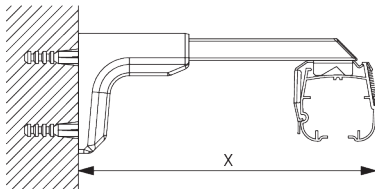
Smart Fix



Smart Fix SG 11200 - SG 11205 and bracket SG 2302:
Screw SG 10395 (M4x6) needed.

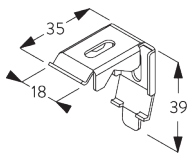


Square Smart Fix SG 11210 - SG 11215 and bracket SG 2302:
Screw SG 10395 (M4x6) needed.



Universal Smart Fix SG 11154 - SG 11156 and bracket SG 2302:
Screw SG 10492 (M4x8) needed.

Smart Fix	X mm
SG 11200 / SG 11210	71-79
SG 11201 / SG 11211	91-99
SG 11202 / SG 11212	111-119
SG 11203 / SG 11213	131-139
SG 11204 / SG 11214	161-164
SG 11205 / SG 11215	211-219
SG 11154	126-152
SG 11155	156-182
SG 11156	206-232



SG 2302

Bracket



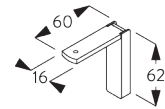
SG 10395

Pan head screw M4x6



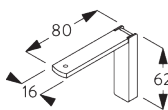
SG 10492

Pan head screw M4x8



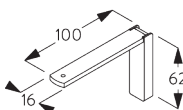
SG 11200

Smart Fix 60 mm



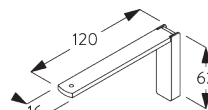
SG 11201

Smart Fix 80 mm



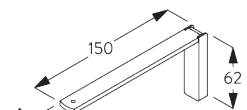
SG 11202

Smart Fix 100 mm



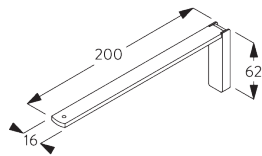
SG 11203

Smart Fix 120 mm

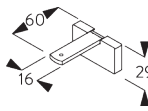


SG 11204

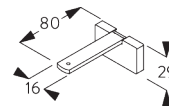
Smart Fix 150 mm



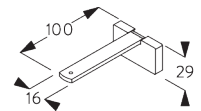
SG 11205
Smart Fix 200 mm



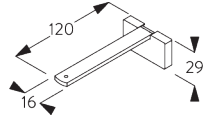
SG 11210
Square Smart Fix 60 mm



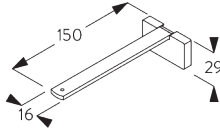
SG 11211
Square Smart Fix 80 mm



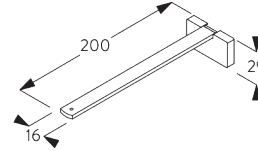
SG 11212
Square Smart Fix 100 mm



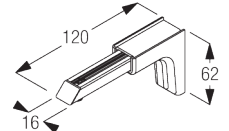
SG 11213
Square Smart Fix 120 mm



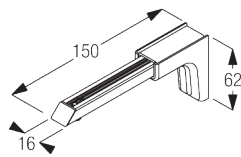
SG 11214
Square Smart Fix 150 mm



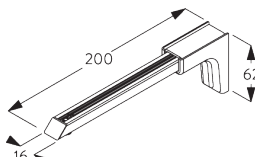
SG 11215
Square Smart Fix 200 mm



SG 11154
Universal Smart Fix 120 mm



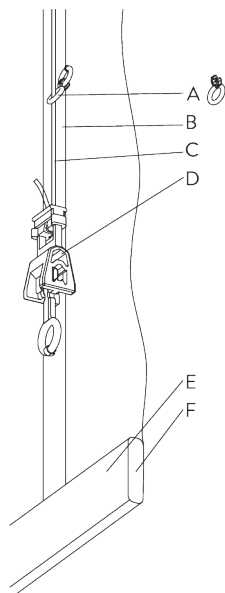
SG 11155
Universal Smart Fix 150 mm



SG 11156
Universal Smart Fix 200 mm

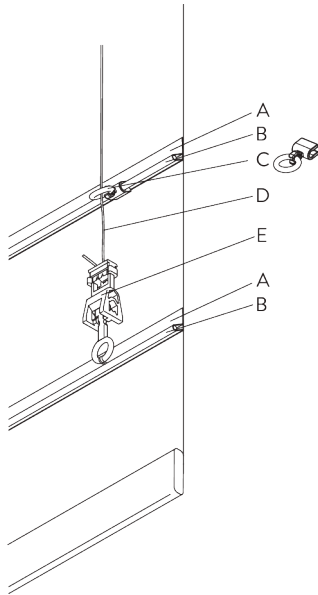
SYSTEM OPTIONS

A. FABRIC MAKE-UP



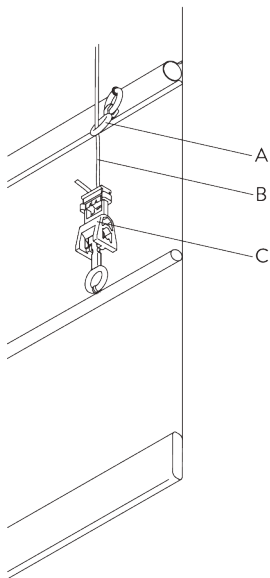
Type A - Softfold

- A: Child safety tape set SG 3166
- B: Set includes tape and child safety eyelet
- C: Tape SG 2163
- D: Child safety hook set SG 3164
- E: Hollow hem
- F: Bottom bar SG 2005



Type B - Hardfold

- A: Tape SG 2136
- B: Rod SG 2135
- C: Child safety eyelet hard fold SG 3069
- D: Tape SG 2163
- E: Child safety hook set SG 3164



Type C - Hardfold

- A: Child safety eyelet set SG 3165
- B: Tape SG 2163
- C: Child safety hook set SG 3164

GENERAL NOTES

Dimensions

- Measurements are in mm except where indicated.
- Max. kg relates to fabric incl. accessories (bottom bars, cross rods, etc.).
- Stack size is typically 15-20% of system height.

Fitting

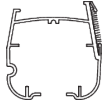
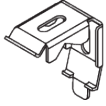
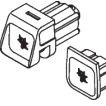
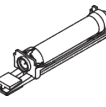
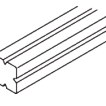

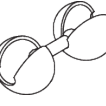
- Installation by qualified fitter only.
- Number of brackets and fitting positions / fixing points vary depending on fitting surface, system weight, fabric make-up, screw / fixing type and obstacles.
- Qualified fitter must use appropriate screws / fixings for each situation.
- Electrical installations must be carried out according to Silent Gliss wiring diagrams and conform to local regulations.

Child Safety

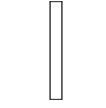

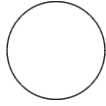
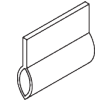

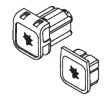
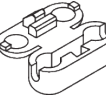
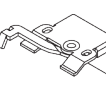

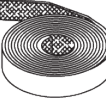

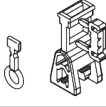
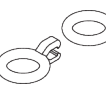
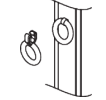
- All relevant Silent Gliss systems correspond to child safety EN 13120.
- All parties involved must comply with EN 13120.

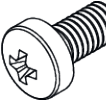
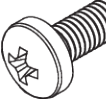
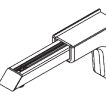
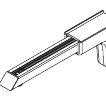
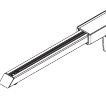
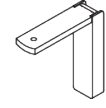
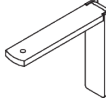
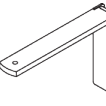
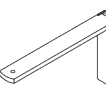
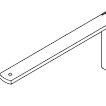
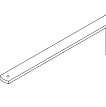
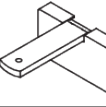
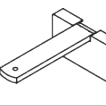
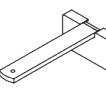
PARTS

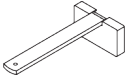
A. STANDARD PARTS

	SG 2301 Velcro profile
	SG 2302 Bracket
	SG 2307 Child safety chain drive set 4:1
	SG 2308 Cord drum with lift cord
	SG 2309 Shaft
	SG 2311 Bead chain metal ø 4.5 mm
	SG 2312 Bead chain connector metal

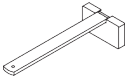
B. OPTIONAL PARTS

	SG 2006 Bottom bar 28x3 mm
	SG 2091 End cover
	SG 2135 Rod steel ø 3 mm
	SG 2136 Rod tape
	SG 2310 Bead chain plastic ø 4.5 mm
	SG 2317 Chain drive set 4:1
	SG 2319 Bead chain connector plastic
	SG 2346 Bracket
	SG 2347 Bead chain loops plastic 100/150/200/250/300/350/400 cm
	SG 2539 Tape
	SG 3069 Child safety eyelet
	SG 3164 Child safety hook set
	SG 3165 Child safety eyelet set
	SG 3166 Child safety tape set

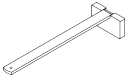
	SG 10395 Pan head screw M4x6
	SG 10492 Pan head screw M4x8
	SG 11154 Universal Smart Fix 120 mm
	SG 11155 Universal Smart Fix 150 mm
	SG 11156 Universal Smart Fix 200 mm
	SG 11200 Smart Fix 60 mm
	SG 11201 Smart Fix 80 mm
	SG 11202 Smart Fix 100 mm
	SG 11203 Smart Fix 120 mm
	SG 11204 Smart Fix 150 mm
	SG 11205 Smart Fix 200 mm
	SG 11210 Square Smart Fix 60 mm
	SG 11211 Square Smart Fix 80 mm
	SG 11212 Square Smart Fix 100 mm



SG 11213
Square Smart Fix 120 mm



SG 11214
Square Smart Fix 150 mm



SG 11215
Square Smart Fix 200 mm
