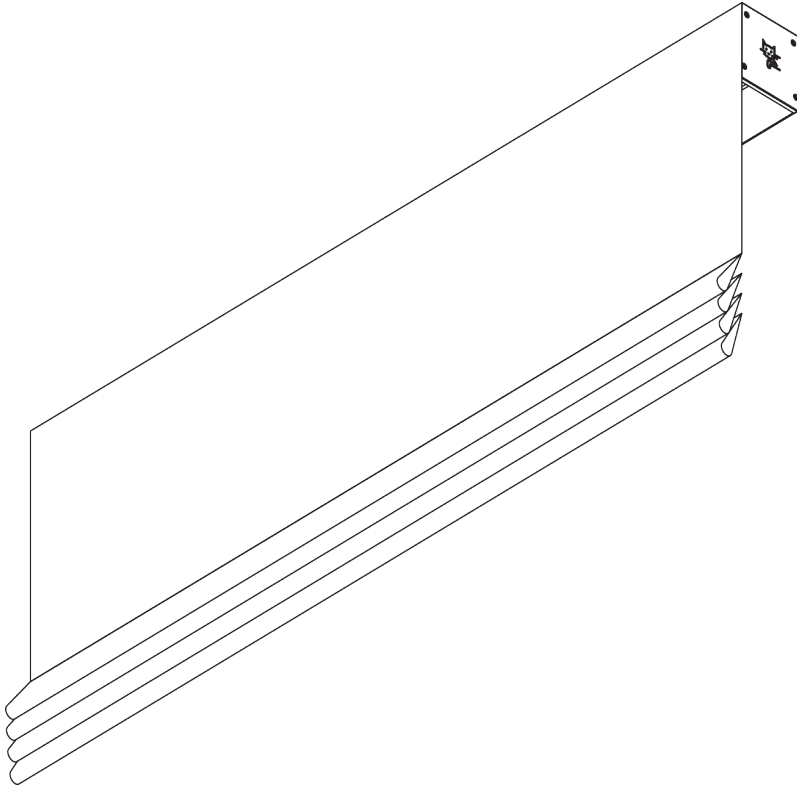
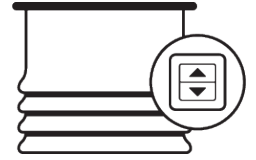


SG 2360



PRODUCT INFORMATION

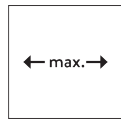
- **Operation:** motorised
- **Range:** S - L
- **Fitting:** ceiling, wall
- **Colours:** white RAL 9016, black 9005
- **Fabrics:** refer to Silent Gliss fabric collection

Features:

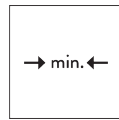
- Quiet motors
- Soft stop
- Various control options
- Enclosed headrail
- Fascia included

SYSTEM SPECIFICATIONS

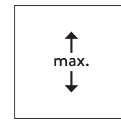
A. SYSTEM DIMENSIONS



4 m



60 cm*
*see motor specification table



4 m



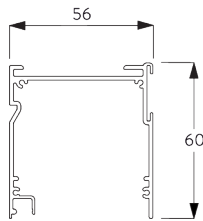
16 m²



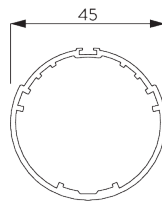
10 kg

B. PROFILE

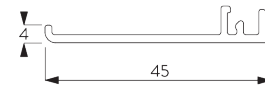
Profile information



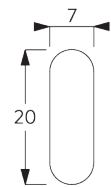
SG 2371
Head box



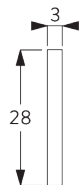
SG 2372
Tube ø 45 mm



SG 11434
Box cover



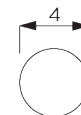
SG 2004
Bottom bar 20x7 mm



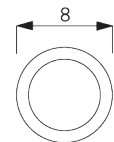
SG 2006
Bottom bar 28x3 mm



SG 2135
Rod steel ø 3 mm

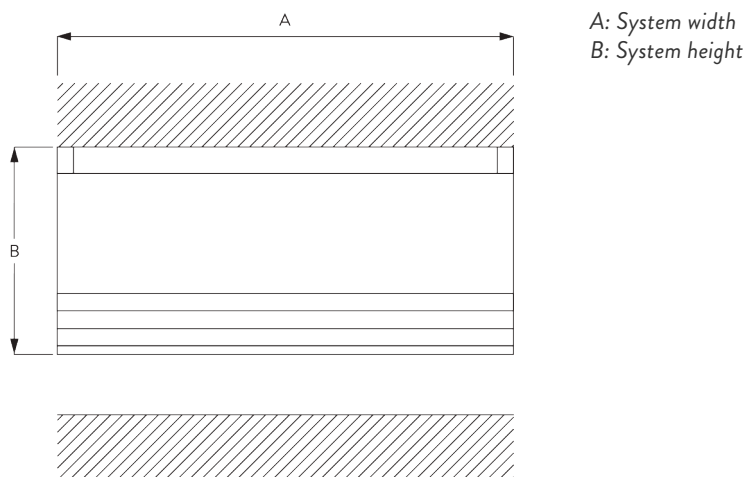


SG 2137
Rod fiberglass ø 4 mm



SG 2144
Profile ø 8 mm

C. HOW TO MEASURE



D. SPECIFICATION TEXT

Silent Gliss SG 2360 Motorised Roman Blind System with Series 50 Smart by Silent Gliss enabled motor. Roman blind system for medium to large size blind applications 4m wide/4m drop/10Kg. Supplied made to measure comprising aluminium head box SG 2371, winding tube SG 2372, end covers SG 2373/4 and fascia SG 11434. Fix to ceiling with ceiling [SG 3003 and/or bracket 2521]. Fix to wall with brackets [Smart Fix SG 11200- 11204 / Square smart fix brackets SG 11210 – SG 11214 / Universal Smart Fix SG 11154 – SG 11156]. Visible metal hardware powder coated in [white RAL 9016 / black RAL 9005]. Integral 24V DC powered Smart by Silent Gliss motor SG 11250 positioned [left / right] side. Operation only via Silent Gliss Smart Gateway and associated components in conjunction with compatible third-party control systems. If supplied with made up blind from The Collection by Silent Gliss it includes child safe breakaway components for [hard/semi-hard fold: SG 3164 bottom bar set + SG 3069 rod cover / soft fold: SG 3165 + 3166 ring]. Fabric to be attached to headrail profile using loop tape. Compliant to Child Safety Legislation EN 13120. All wiring to be strictly in accordance with Silent Gliss wiring diagrams. Fabric to be chosen from The Collection by Silent Gliss, Price Group [1 / 2 / 3].

Silent Gliss SG 2360 Motorised Roman Blind System with SG Series 40 motor. Roman blind system for medium to large size blind applications 4m wide/4m drop/10Kg. Supplied made to measure comprising aluminium head box SG 2371, winding tube SG 2372, end covers SG 2373/4 and fascia SG 11434 Fix to ceiling with ceiling [SG 3003 and/or bracket 2521]. Fix to wall with brackets [Smart Fix SG 11200- 11204 / Square smart fix brackets SG 11210 – SG 11214 / Universal Smart Fix SG 11154 – SG 11156]. Visible metal hardware powder coated in [white RAL 9016 / black RAL 9005]. Integral motor [SG 11243 24V DC powered motor transformer not included or SG 11240 100-240 V AC 50/60Hz] positioned [left or right] side. Operation by [3rd party dry contact switching or 3rd party control system with suitable interface or Silent Gliss Control N radio controls via integrated receiver]. Control N transmitter components are supplied at additional cost. If supplied with made up blind from The Collection by Silent Gliss it includes child safe breakaway components for [hard/semi-hard fold: SG 3164 bottom bar set + SG 3069 rod cover / soft fold: SG 3165 + 3166 ring]. Fabric to be attached to headrail profile using loop tape. Compliant to Child Safety Legislation EN 13120. All wiring to be strictly in accordance with Silent Gliss wiring diagrams. Fabric to be chosen from The Collection by Silent Gliss, Price Group [1 / 2 / 3].

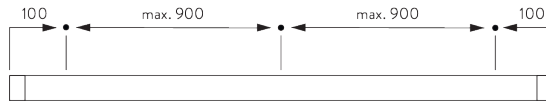
Silent Gliss SG 2360 Motorised Roman Blind System with SG Series 20 motor. Roman blind system for medium to large size blind applications 4m wide/4m drop/10Kg. Supplied made to measure comprising aluminium head box SG 2371, winding tube SG 2372, end covers SG 2373/4 and fascia SG 11434 Fix to ceiling with ceiling [SG 3003 and/or bracket 2521]. Fix to wall with brackets [Smart Fix SG 11200- 11204 / Square smart fix brackets SG 11210 – SG 11214 / Universal Smart Fix SG 11154 – SG 11156]. Visible metal hardware powder coated in [white RAL 9016 / black RAL 9005]. Integral motor SG 10320 230v 50 Hz mains switched motor positioned [left or right] side. Operation by [3rd party switching or SG Control R with external receiver or 3rd party automation system with suitable interface]. Control R transmitter & external receiver components supplied at additional costs. If supplied with made up blind from The Collection by Silent Gliss it includes child safe breakaway components for [hard/semi-hard fold: SG 3164 bottom bar set + SG 3069 rod cover / soft fold: SG 3165 + 3166 ring]. Fabric to be attached to headrail profile using loop tape. Compliant to Child Safety Legislation EN 13120. All wiring to be strictly in accordance with Silent Gliss wiring diagrams. Fabric to be chosen from The Collection by Silent Gliss, Price Group [1 / 2 / 3].

FITTING

A. FITTING INFORMATION

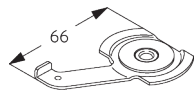
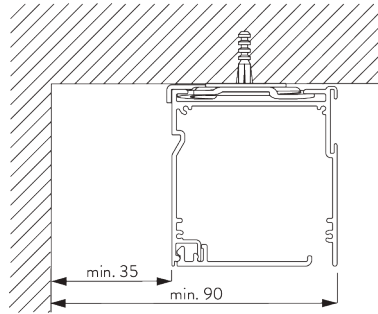
For detailed fitting information, visit the *Silent Gliss* website.

Fixing points



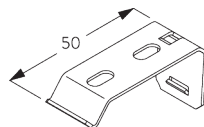
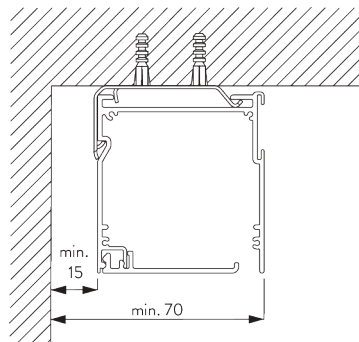
B. CEILING FITTING

Clamp SG 3003



SG 3003
Clamp

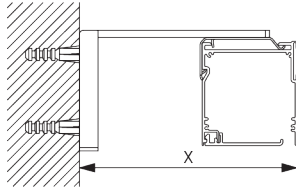
Bracket SG 2521



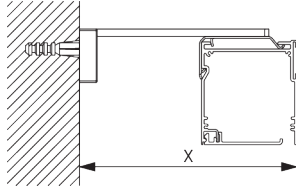
SG 2521
Bracket

C. WALL FITTING

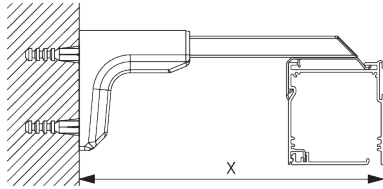
Smart Fix



Smart Fix SG 11200 - SG 11204 and bracket SG 2521:
Screw SG 10395 (M4x6) needed.

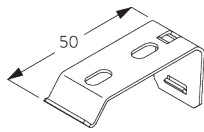


Square Smart Fix SG 11210 - SG 11214 and bracket SG 2521:
Screw SG 10395 (M4x6) needed.



Universal Smart Fix SG 11154 - SG 11156 and bracket SG 2521:
Screw SG 10492 (M4x8) needed.

Smart Fix	X mm
SG 11200 / SG 11210	80-84
SG 11201 / SG 11211	100-104
SG 11202 / SG 11212	120-124
SG 11203 / SG 11213	140-144
SG 11204 / SG 11214	170-174
SG 11154	134-162
SG 11155	164-192
SG 11156	214-242



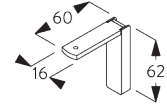
SG 2521
Bracket



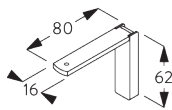
SG 10395
Pan head screw M4x6



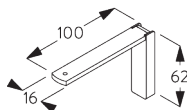
SG 10492
Pan head screw M4x8



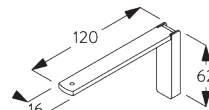
SG 11200
Smart Fix 60 mm



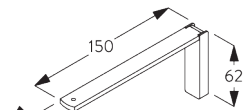
SG 11201
Smart Fix 80 mm



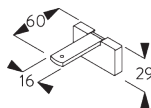
SG 11202
Smart Fix 100 mm



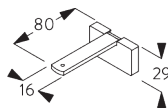
SG 11203
Smart Fix 120 mm



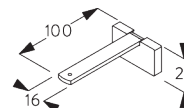
SG 11204
Smart Fix 150 mm



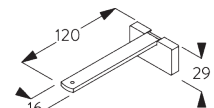
SG 11210
Square Smart Fix 60 mm



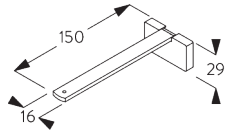
SG 11211
Square Smart Fix 80 mm



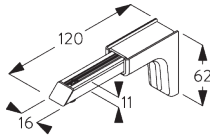
SG 11212
Square Smart Fix 100 mm



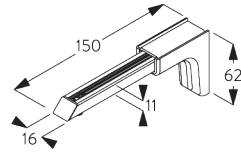
SG 11213
Square Smart Fix 120 mm



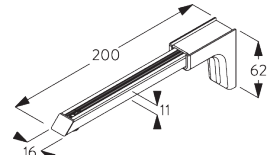
SG 11214
Square Smart Fix 150 mm



SG 11154
Universal Smart Fix 120 mm

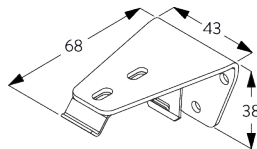
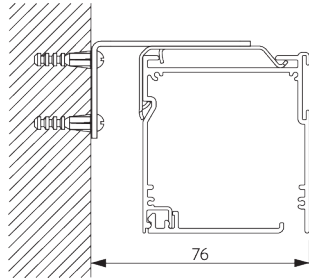


SG 11155
Universal Smart Fix 150 mm



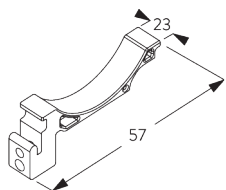
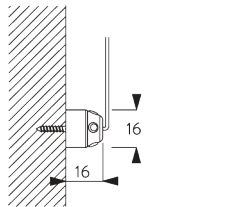
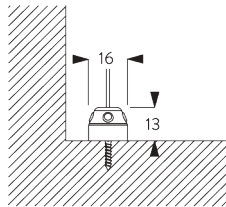
SG 11156
Universal Smart Fix 200 mm

Bracket SG 2363

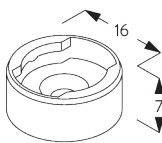


SG 2363
Bracket 68 mm

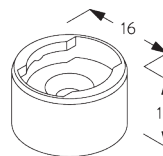
D. FITTING WITH SIDE GUIDE OPTION



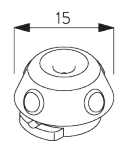
SG 2384



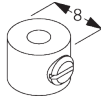
SG 8235
Side guide wire base short



SG 8236
Side guide wire base long

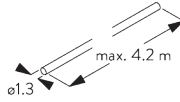


SG 8237
Side guide wire holder



SG 8249

Side guide device

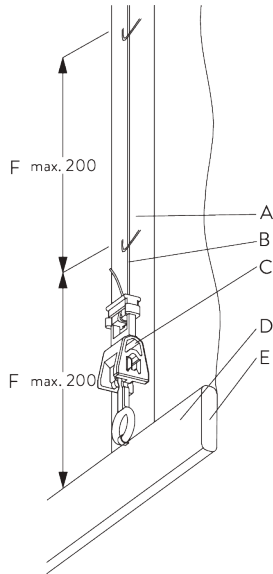


SG 10643

Side guide wire \varnothing 1.3 mm x 4.2 m

SYSTEM OPTIONS

A. FABRIC MAKE-UP



Type A (Standard)

Loop tape SG 3074:

A: Loop tape SG 3074 / SG 2164

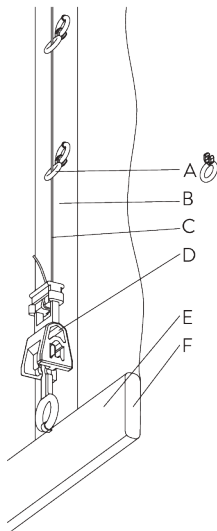
B: Cord SG 2216

C: Child safety hook set SG 3164

D: Hollow hem

E: Bottom bar SG 2004

F: Child safety: max. distance 200 mm



Type B

Ring tape SG 2164:

A: Child safety eyelet soft fold SG 3078

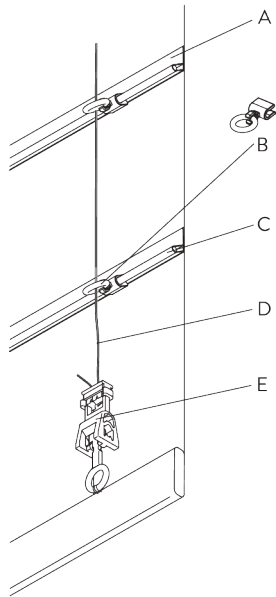
B: Ring tape SG 2164

C: Cord SG 2216

D: Child safety hook set SG 3164

E: Hollow hem

F: Bottom bar SG 2004



Type C

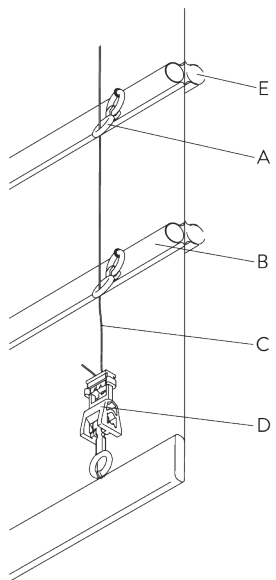
A: Tape SG 2136

B: Child safety eyelet hard fold SG 3069

C: Rod SG 2135

D: Cord SG 2216

E: Child safety hook set SG 3164



Type D

A: Child safety eyelet set SG 3161 / SG 3165

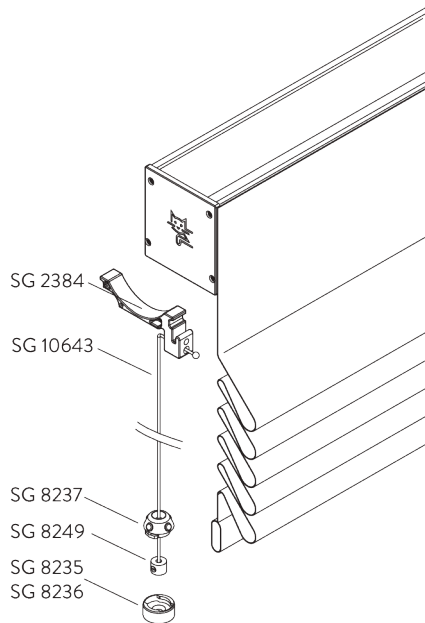
B: Tube SG 2144

C: Cord SG 2216

D: Child safety hook set SG 3164

E: Option: tube SG 2144 / SG 2137 can be installed to room side

B. SIDE GUIDES



Additional parts:

- 2x SG 2384 Side guide wire holder
- 2x SG 8235 / SG 8236 Side guide wire base short / long
- 2x SG 8237 Side guide wire holder
- 2x SG 8249 Side guide device
- 2x SG 10643 Side guide wire \varnothing 1.3 mm

Note:

- Up to 15° from vertical

MOTORS & CONTROLS

A. MOTOR FEATURES

Motors	50-Series	40-Series	25-Series	20-Series	5-Series
	SG 11251	SG 11943 SG 11944	SG 11625	SG 10522	SG 10715 SG 10716

Motor Features

Soft stop	•	•	•	•	
Electronic end-stop	•	•	•	•	
Electronic revolution counter (unlimited revolution)	•	•	•	•	
Mechanical end-stop					•
Mechanical revolution counter (limited revolution)					•
One intermediate position possible		•			
Bottom bar alignment	•	•			
Noiseless stop				•	
Parallel wiring possible without additional relays		•	•	•	
Disconnectable motor cable	•	•	•	•	
IP class	IP 30	IP 30	IP 30	IP 44	IP 44

Control Features

Mains power control			•	•	•
Dry contact control	•	•			
Dry contact and / or SG Control N control		•			
SG Control N (built-in receiver)		•			
SG Control R (external receiver required)		•	•	•	
Smart by Silent Gliss	•				
Suitable for most major home automation systems (with suitable interface)		•	•	•	•

B. MOTOR SPECIFICATIONS

Motors	Max. weight	Min. system width	Voltage	Current	Frequency	Speed	Frequency receiver
50-Series (Smart by Silent Gliss)							
SG 11251	10 kg	60 cm	24 V DC	1.5 A	n/a	32 rpm	n/a
40-Series							
SG 11943	10 kg	83 cm	100-240 V AC	0.6 A	50-60 Hz	32 rpm	433 MHz
SG 11944	10 kg	60 cm	24 V DC	1.5 A	n/a	32 rpm	433 MHz
25-Series							
SG 11625	10 kg	87 cm	100-240 V AC	0.8 A	50-60 Hz	32rpm	n/a
20-Series							
SG 10522 (standard)	10 kg	60 cm	230 V AC	0.6 A	50 Hz	30 rpm	n/a
5-Series							
SG 10715	10 kg	60 cm	230 V AC	0.5 A	50 Hz	28 rpm	n/a
SG 10716	10 kg	60 cm	120 V AC	1.1 A	60 Hz	33 rpm	n/a

C. OPERATING METHODS

See catalogue "controls" for details.

Wall Switch



System can be operated by fixed wall switch.

SG Control N

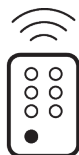


Various radio hand-held and wall transmitters available.



Silent Gliss Move App.

SG Control R



Various radio hand-held and wall transmitters available. An external receiver is required.

Smart by Silent Gliss



Open designed two-way communication system which allows to flawlessly integrate products with most major building management systems.



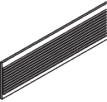
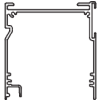

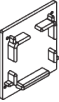



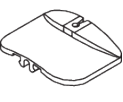

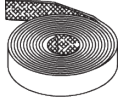
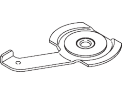
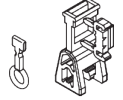
D. WIRING
DIAGRAMS

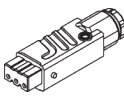



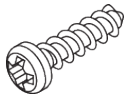
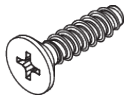

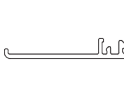


Refer to Silent Gliss website.



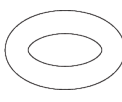
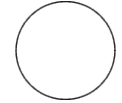
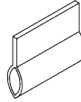
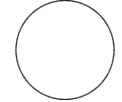
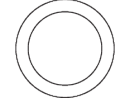


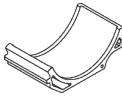

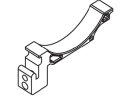
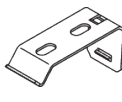
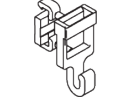
PARTS



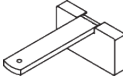


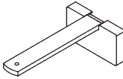
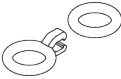
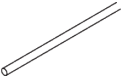
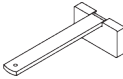
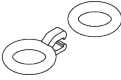

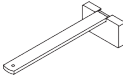
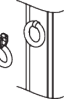



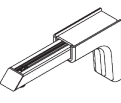
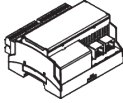

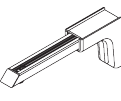
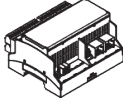
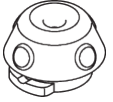
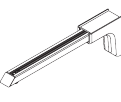
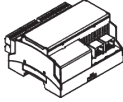
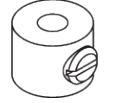
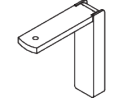
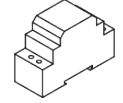

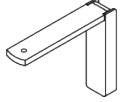
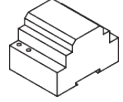
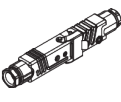
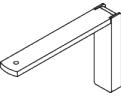
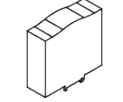
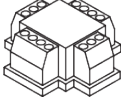
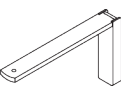
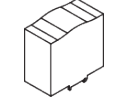
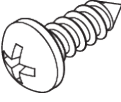
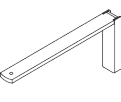
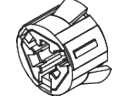
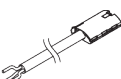
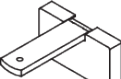

A. STANDARD PARTS

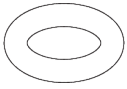
	SG 2004 Bottom bar 20x7 mm
	SG 2216 Cord ø 0.85 mm
	SG 2221 Velcro tape
	SG 2371 Head box
	SG 2372 Tube ø 45 mm
	SG 2373 End cover
	SG 2374 End cover
	SG 2375 Tube adapter ø 43 mm
	SG 2376 Shell
	SG 2377 Pin
	SG 2381 Motor plate
	SG 2539 Tape
	SG 3003 Clamp
	SG 3164 Child safety hook set

	SG 9917 Hirschmann portable socket-outlet STAK 3 N
	SG 10284 O-Ring
	SG 10522 Motor 230V AC, 20-Series 3/30
	SG 10621 Tube adapter
	SG 11185 Pan head screw 2.2x9.5 DIN 7981 C
	SG 11324 PT Screw Countersunk KA35x14
	SG 11354 Motor drive 10/20-Series
	SG 11434 Box cover

B. OPTIONAL PARTS

	SG 2006 Bottom bar 28x3 mm
	SG 2091 End cover
	SG 2093 Ring
	SG 2135 Rod steel ø 3 mm
	SG 2136 Rod tape
	SG 2137 Rod fiberglass ø 4 mm
	SG 2144 Profile ø 8 mm
	SG 2164 Ring tape
	SG 2363 Bracket 68 mm
	SG 2378 Support
	SG 2379 Sleeve
	SG 2384
	SG 2521 Bracket
	SG 3055 Hook

	SG 3069 Child safety eyelet		SG 10395 Pan head screw M4x6		SG 11211 Square Smart Fix 80 mm
	SG 3074 Loop tape		SG 10492 Pan head screw M4x8		SG 11212 Square Smart Fix 100 mm
	SG 3161 Child safety eyelet set		SG 10643 Side guide wire \varnothing 1.3 mm x 4.2 m		SG 11213 Square Smart Fix 120 mm
	SG 3165 Child safety eyelet set		SG 10715 Tubular motor 230V AC, 5 Series 6/28		SG 11214 Square Smart Fix 150 mm
	SG 3166 Child safety tape set		SG 10716 Tubular motor 120V AC, 5 Series 6/33		SG 11251 Motor 24V DC, 50-Series 3/32
	SG 8235 Side guide wire base short		SG 11154 Universal Smart Fix 120 mm		SG 11260 Gateway Cedia
	SG 8236 Side guide wire base long		SG 11155 Universal Smart Fix 150 mm		SG 11261 Gateway KNX
	SG 8237 Side guide wire holder		SG 11156 Universal Smart Fix 200 mm		SG 11262 Expansion unit
	SG 8249 Side guide device		SG 11200 Smart Fix 60 mm		SG 11263 Power supply 24V DC, 2.5A DIN Rail
	SG 8943 Cable grommet		SG 11201 Smart Fix 80 mm		SG 11264 Power supply 24V DC, 3.8A DIN Rail
	SG 9916 Hirschmann plug set		SG 11202 Smart Fix 100 mm		SG 11265 Power supply 24V DC, 5A DIN Rail
	SG 9959 Central control unit relay		SG 11203 Smart Fix 120 mm		SG 11266 Power supply 24V DC, 10A DIN Rail
	SG 10149 Pan head screw 2.2x6.5		SG 11204 Smart Fix 150 mm		SG 11355 Motor drive 5-Series
	SG 10293 Cable 230V AC, 2/3/5/10 m		SG 11210 Square Smart Fix 60 mm		SG 11356 Motor drive 40/50-Series



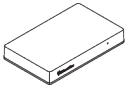
SG 11482

Ring



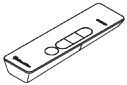
SG 11625

Motor 100-240V AC, 25-Series S
3/32



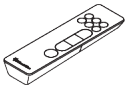
SG 11900

Move Server



SG 11931

Radio hand held 1 channel



SG 11932

Radio hand held 6 channel



SG 11936

Radio wall transmitter 1 channel



SG 11937

Radio wall transmitter 6 channel



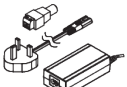
SG 11943

Motor 100-240V AC, 40-Series S
3/32, radio receiver



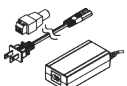
SG 11944

Motor 24V DC, 40-Series S 3/32,
radio receiver



SG 11966

Power supply set 24V/2A with GB
plug



SG 11967

Power supply set 24V/2A with US
plug
