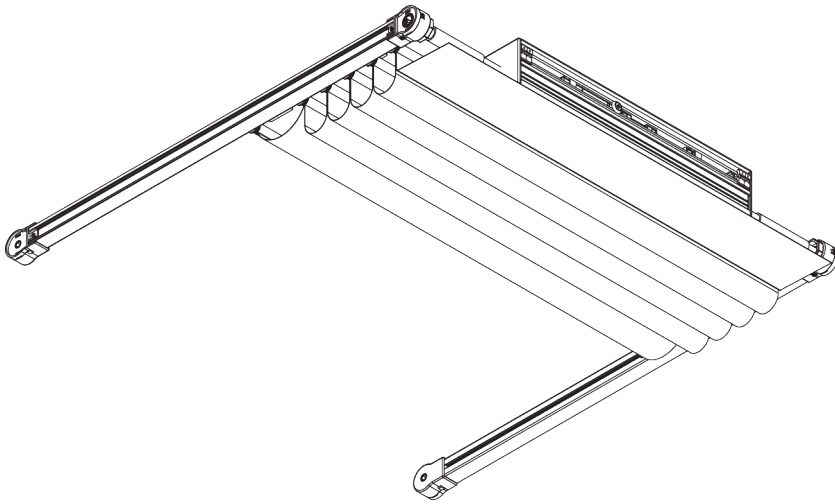
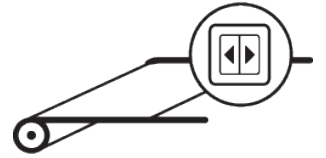


SG 2195



PRODUCT INFORMATION

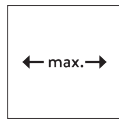
- **Operation:** motorised
- **Range:** S - L
- **Fitting:** ceiling, wall, recess
- **Colours:** white RAL 9016 or anodised aluminum, special colours possible
- **Fabrics:** refer to Silent Gliss fabric collection

Features:

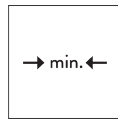
- Bendable
- Sloping
- Three connected systems
- Various control options

SYSTEM SPECIFICATIONS

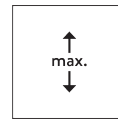
A. SYSTEM DIMENSIONS



3 m



60 cm



6 m



25 kg



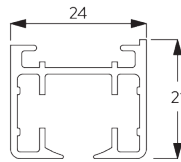
15 m²

Max. system sizes and weights

SG 2195		kg _{max.}	A	B	SG 2195		kg _{max.}	A	B
		18	3 m	6 m			18	3 m	6 m
		18	6 m	6 m			18	6 m	6 m
		18	6 m	5 m			18	6 m	6 m
		25	3 m	6 m			18	3 m	6 m
		25	6 m	6 m			18	6 m	5 m
		25	6 m	6 m			18	6 m	5 m
		25	3 m	6 m			10	3 m	4 m
		25	6 m	6 m			10	6 m	4 m
		25	6 m	6 m			10	6 m	3 m

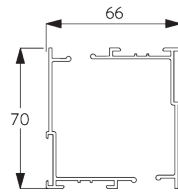
B. PROFILE

Profile and bending information



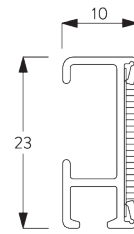
SG 2191

Profile



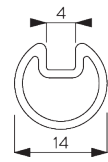
SG 2151

Profile



SG 2116

Velcro profile

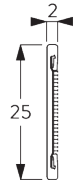


SG 2156

Shaft



Radius:
>25 cm



SG 2510

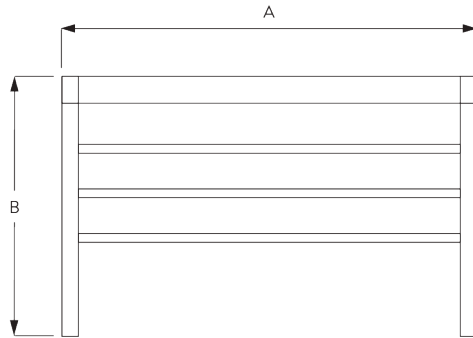
Velcro profile



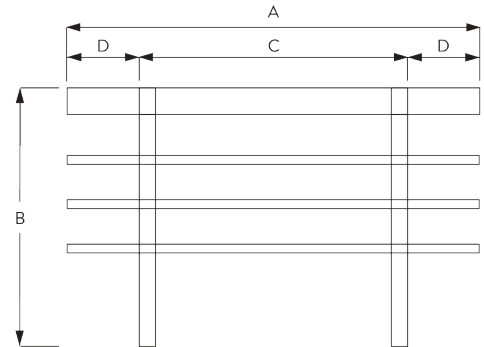
SG 2759

Profile

C. HOW TO MEASURE



A: System width
B: System height



A: System width
B: System height
C: Base system
D: Cantilever max. 80 cm

D. SPECIFICATION TEXT

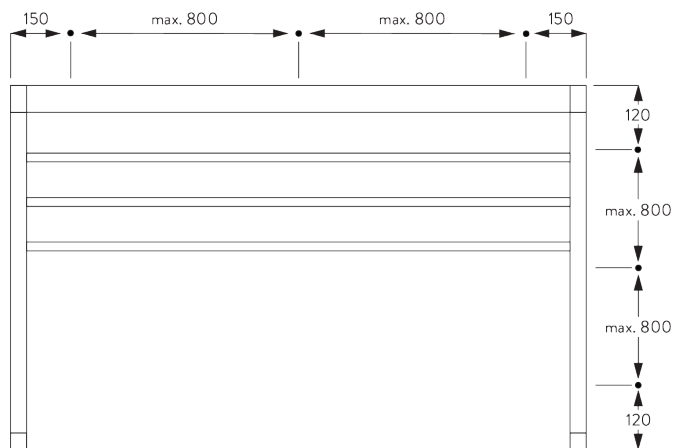
Silent Gliss SG 2195 Electrically Operated Skylight System. Supplied made to measure and complete comprising aluminium headbox SG 2151 with enclosed motor SG 2160 complete with drive shaft SG 2156, clamps SG 3004, aluminium side guide profiles SG 2191 in silver / white / black side fixed with SG 3825 clamps at 30cm centres, glider SG 2145, heavy duty cross rod SG 2248, cross rod SG 2759, velcro profile SG 2116, connector SG 2242, top fix bracket SG 3603, optional fixing brackets SG 3065B / SG 3066A / SG3066B. Can be single, double or triple operation from one motor controlled by fixed switch / third party control system subject to suitable interface by others party / SG Control L / SG Control R radio control systems via external receiver. All radio control components supplied at additional cost. All wiring to be strictly in accordance with Silent Gliss wiring diagrams. Fabric to be chosen from the Silent Gliss fabric range relevant to this product group.

FITTING

A. FITTING INFORMATION

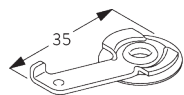
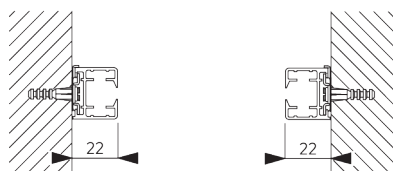
For detailed fitting information, visit the *Silent Gliss* website.

Fixing points



B. INSIDE FITTING

Clamp SG 3825

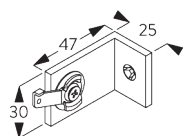
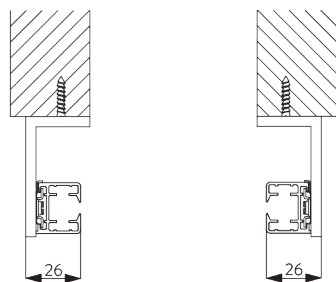


SG 3825

Clamp

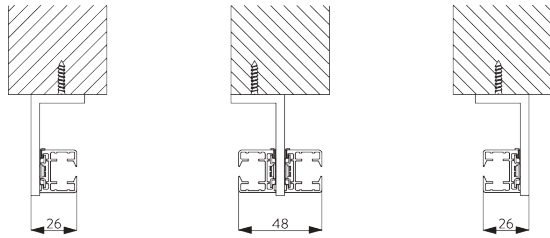
C. FACE FITTING

Bracket SG 3181

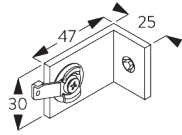


SG 3181

Bracket with 1 clamp



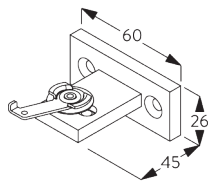
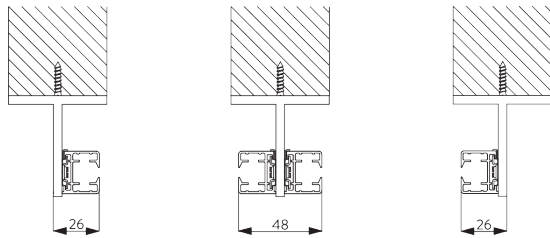
Double system



SG 3181

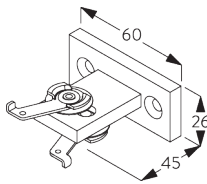
Bracket with 1 clamp

T-Bracket SG 2138 /
SG 2139



SG 2138

T-bracket 1 clamp

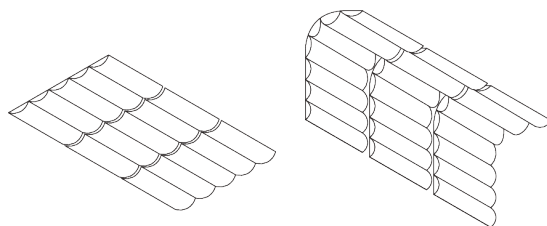


SG 2139

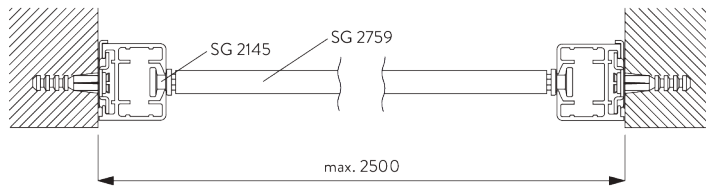
T-bracket 2 clamps

SYSTEM OPTIONS

A. THREE CONNECTED SYSTEMS

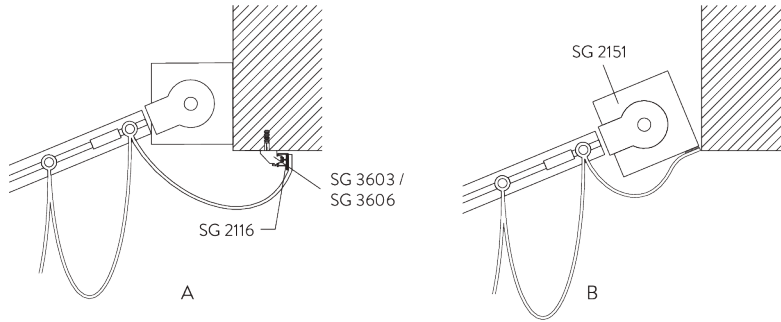


B. INSTALLATION OPTIONS



- SG 2145: Glider
- SG 2759: Profile

C. FABRIC FIXING



- A: Fixing of fabric with profile SG 2116 (standard)
 B: Fixing of fabric directly on headrail cassette

MOTOR & CONTROLS

A. MOTOR FEATURES

Motors	SG 2160	SG 11328
Motor Features		
Mechanical end-stop	●	●
Mechanical revolution counter (limited revolution)	●	●
Noiseless stop	●	●
IP class	IP 44	IP 44
Control Features		
Mains power control	●	●
SG Control L (external receiver required)	●	●
SG Control R (external receiver required)	●	●
Suitable for most major home automation systems (with suitable interface)	●	●

B. MOTOR SPECIFICATIONS

Motors	Voltage	Current	Frequency	Speed
SG 2160	230 V AC	0.5 A	50 Hz	26 rpm
SG 11328	120 V AC	1.3 A	60 Hz	30 rpm

**C. OPERATING
METHODS**

See catalogue "controls" for details.

Wall Switch



System can be operated by fixed wall switch.

SG Control L



Various radio hand-held and wall transmitters available.
An external receiver is required.



Silent Gliss Move App.

SG Control R



Various radio hand-held and wall transmitters available.
An external receiver is required.


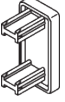
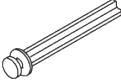

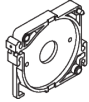
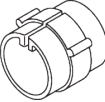


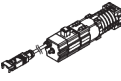
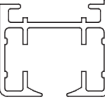
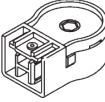
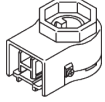
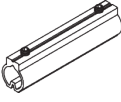
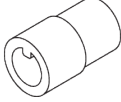
**D. WIRING
DIAGRAMS**

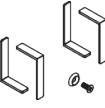

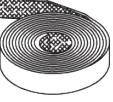
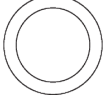

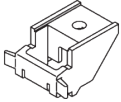

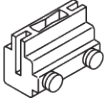
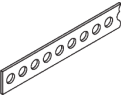

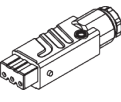


Refer to Silent Gliss website.

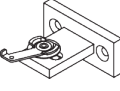
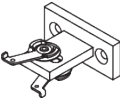
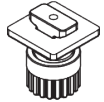
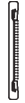
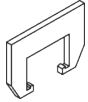
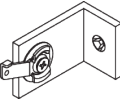

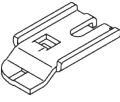
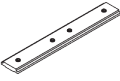

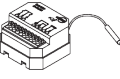
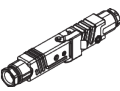
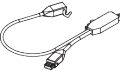
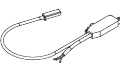
PARTS

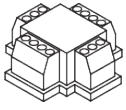
A. STANDARD PARTS

	SG 2116 Velcro profile
	SG 2131 End cover
	SG 2145 Glider
	SG 2151 Profile
	SG 2152 Bearing shell
	SG 2153 Pulley
	SG 2154 End cover
	SG 2156 Shaft
	SG 2160 Motor 230V AC, JA 06/26 soft
	SG 2191 Profile
	SG 2193 Guide return
	SG 2230 Drive
	SG 2242 Connector
	SG 2245 Shaft connector

	SG 2247 Set Elero 230V
	SG 2248 Profile
	SG 2539 Tape
	SG 2759 Profile
	SG 3004 Clamp
	SG 3603 Bracket
	SG 3825 Clamp
	SG 5005 Belt connector
	SG 5130 Driving belt
	SG 6086 Spring stop
	SG 9917 Hirschmann portable socket-outlet STAK 3 N

B. OPTIONAL PARTS

	SG 2138 T-bracket 1 clamp
	SG 2139 T-bracket 2 clamps
	SG 2255 Brake
	SG 2510 Velcro profile
	SG 2613 Connector
	SG 3181 Bracket with 1 clamp
	SG 3606 Clip
	SG 3832 Bracket
	SG 5115 Connection bridge
	SG 5736 Relay socket
	SG 9068 Radio receiver Revio
	SG 9916 Hirschmann plug set
	SG 9944 Radio receiver 1 channel
	SG 9945 Radio receiver 1 channel



SG 9959

Central control unit relay



SG 10300

Radio hand held 1 channel



SG 10302

Radio hand held 5+1 channel



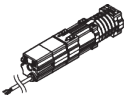
SG 10303

Radio hand held 10+2+1 channel



SG 10804

Radio hand held 15+5+1 channel



SG 11328

Motor 120V AC, JA 08/30 soft, UL



SG 11480

Radio wall transmitter 1 channel



SG 11490

Radio wall transmitter 5+1 channel



SG 20336

Hand held transmitter 8 channel



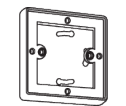
SG 20913

Wall switch single channel



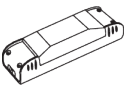
SG 20914

Wall switch 8 channel



SG 20917

Pattress box



SG 20919

Control module motor type R
