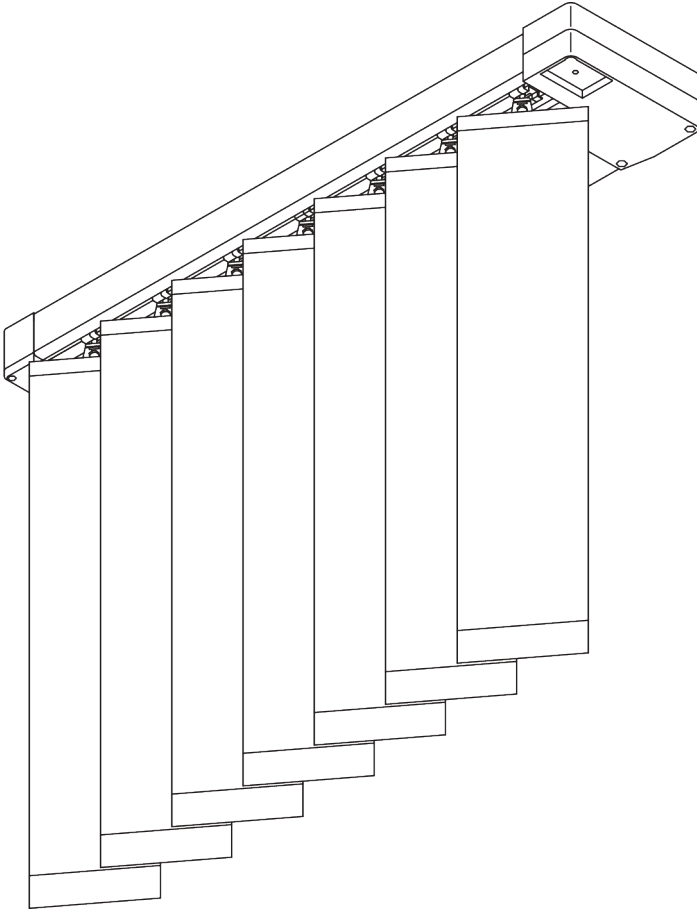
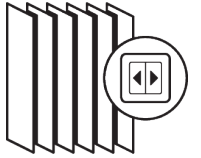


SG 2950



PRODUCT INFORMATION

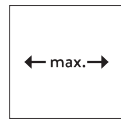
- **Operation:** motorised
- **Range:** S - L
- **Fitting:** ceiling, wall, recess
- **Colours:** white RAL 9016 or anodised aluminum, special colours possible
- **Fabrics:** refer to Silent Gliss fabric collection

Features:

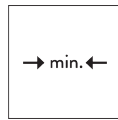
- Optimised light control
 - Various control options
 - Sloping applications
 - Louvre width: 127 mm (standard), 89 mm
 - Vertical Waves
 - Bendable
- 02/2025/V1

SYSTEM SPECIFICATIONS

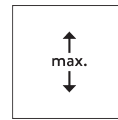
A. SYSTEM DIMENSIONS



6 m



Single Stack: 50 cm
Pair stack: 1.1 m




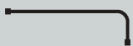
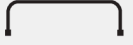

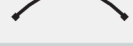



4 m

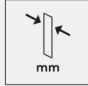




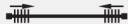


600 g per louvre

Max. system widths

		
	127 mm 89 mm	6 m 6 m
	127 mm 89 mm	6 m 6 m
	127 mm 89 mm	6 m 5 m
	127 mm 89 mm	5 m 5 m
	127 mm 89 mm	6 m 5 m
	127 mm 89 mm	5 m 4.5m

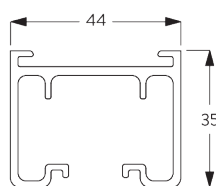
Stack sizes

												
		100	150	200	250	300	350	400	450	500	550	600
127 mm		27	35	42	50	57	65	72	80	87	95	101
		21	25	28	32	36	39	43	47	50	54	58
89 mm		29	40	50	60	69	80	89	100	110	120	129
		20	25	30	35	39	45	50	56	60	65	69

(cm)

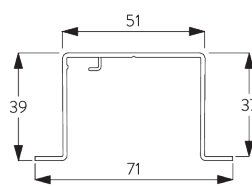
B. PROFILE

Profile and bending information



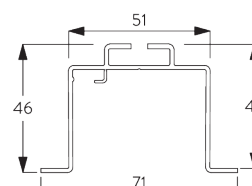
SG 2901

Profile



SG 2932

Recess profile

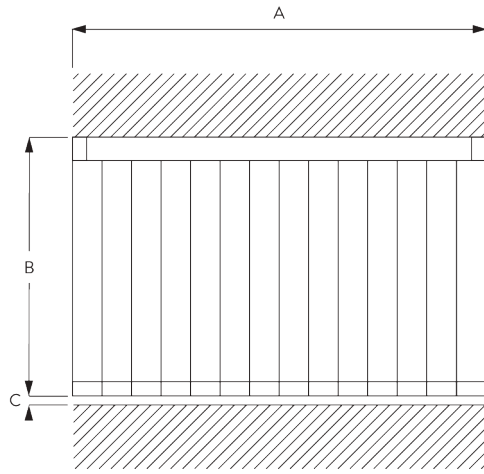


SG 2948

Recess profile

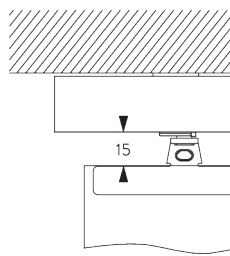


**C. HOW TO
MEASURE**



A: System width
B: System height
C: Distance between floor and fabric

Light gap



**D. SPECIFICATION
TEXT**

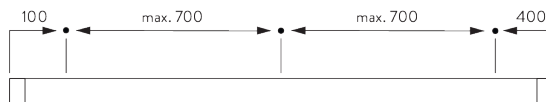
Silent Gliss SG 2950 Electrically Operated Vertical Blind System. Comprises aluminium profile SG 2901 supplied made to measure powder coated white or silver anodised. Assembled with motor SG 9090 / SG 9091, internal drive belt SG 2912 complete with rotation elements to suit louvre width 127mm SG 2916 / 89mm SG 2918. Top fixed with clamp SG 3033 at max 300mm centres + 1. Wall fixed with clamp SG 3033 in conjunction with SG Universal Smart Fix brackets SG 11154-11156 at 300mm centres + 1. Recess fixed option with recess profile SG 2932 and wedge SG 2941. Operation by dry contact switching / Silent Gliss radio control systems SG Control L / SG Control R. Fabric supplied from Silent Gliss fabric range.

FITTING

**A. FITTING
INFORMATION**

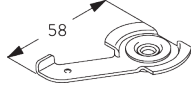
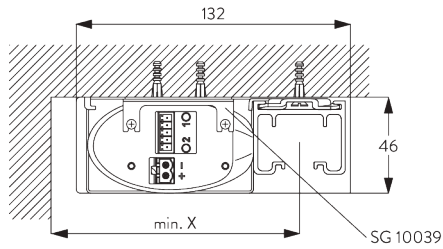
For detailed fitting information, visit the Silent Gliss website.

Fixing points



B. CEILING FITTING

Clamp SG 3033



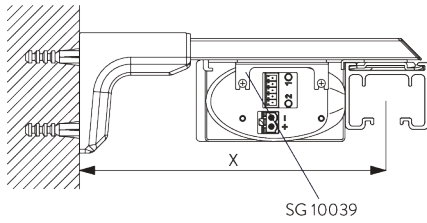
SG 3033

Clamp

Min. wall distance louvres	X mm
89 mm	120
127 mm	120
Vertical Waves 89 mm	115
Vertical Waves 125 mm	140

C. WALL FITTING

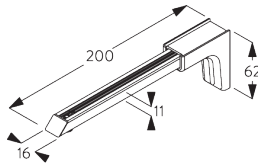
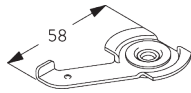
Smart Fix



Universal Smart Fix SG 11156 and clamp SG 3033 / SG 3044

Screw SG 11158 (M4x12) needed.

Smart Fix	X mm
SG 11156	182-210
Min. wall distance louvres	
89 mm	150
127 mm	150
Vertical Waves 89 mm	115
Vertical Waves 125 mm	140



SG 3033

Clamp

SG 11156

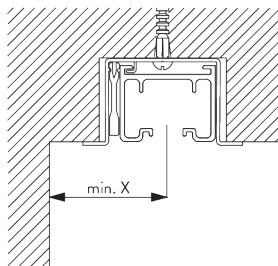
Universal Smart Fix 200 mm

SG 11158

Countersunk head screw
M4x12

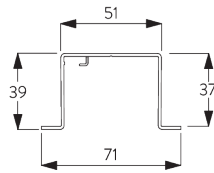
D. RECESS FITTING

Recess profile SG 2932

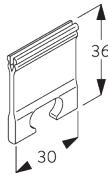


Recess profile SG 2932 can not be bent!
Larger recess for motor is necessary!
One wedge SG 2941 per fixing point.
For detailed recess fitting, visit the Silent Gliss website.

Min. wall distance louvres	X mm
89 mm	65
127 mm	85
Vertical Waves 89 mm	115
Vertical Waves 125 mm	140

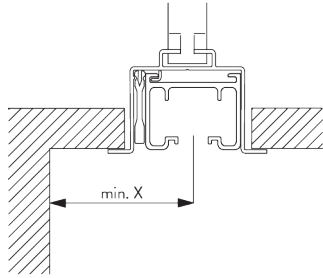


SG 2932
Recess profile



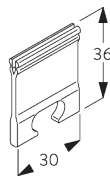
SG 2941
Wedge

**Suspended ceiling
with recess profile
SG 2948 / hanger
SG 6268**

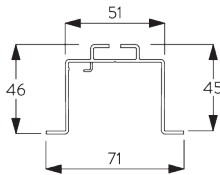


*Recess profile SG 2948 can not be bent!
Larger recess for motor is necessary!
One wedge SG 2941 per fixing point.
For detailed recess fitting, visit the Silent Gliss website.*

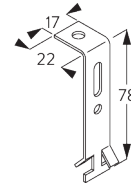
<i>Min. wall distance louvres</i>	<i>X mm</i>
89 mm	65
127 mm	85
Vertical Waves 89 mm	115
Vertical Waves 125 mm	140



SG 2941
Wedge



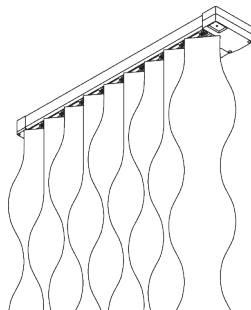
SG 2948
Recess profile

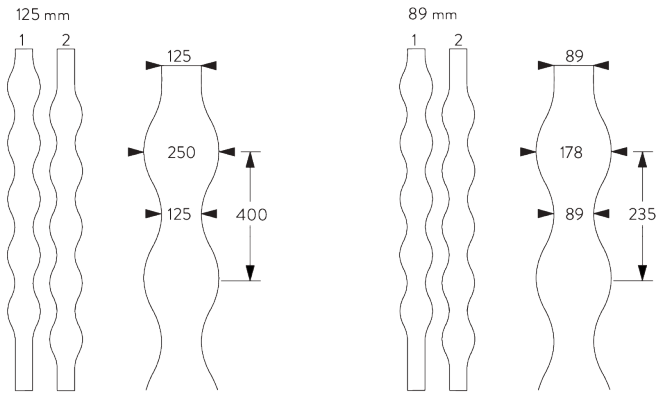


SG 6268
Hanger

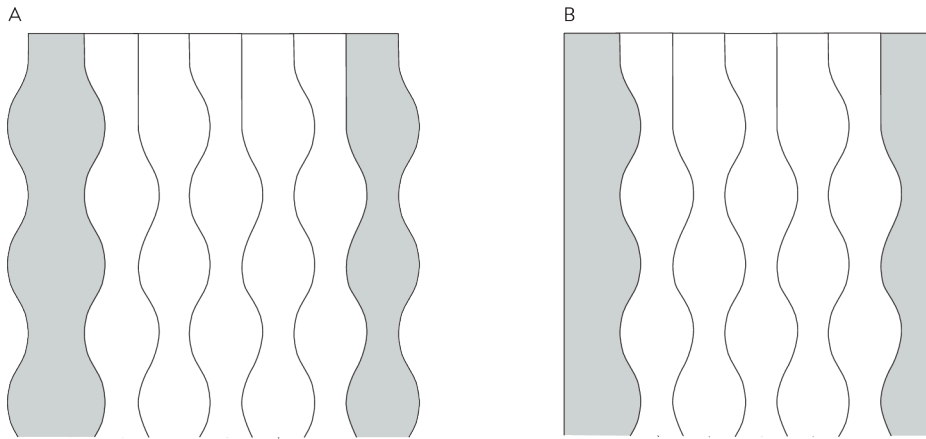
SYSTEM OPTIONS

A. VERTICAL WAVES



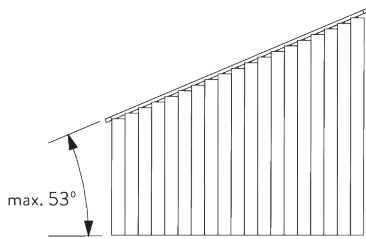


3D Vertical Waves only applicable with 125 mm louvres.



Wall ending
 A: Wavy edge
 B: Straight edge

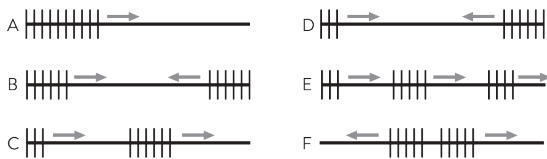
B. SLOPING WINDOWS



Maximum slope depends on louvre widths:
 - 45° with 127 mm louvres
 - 53° with 89 mm louvres

Not suitable with system option Vertical Waves.
 Both the stack and the motor need to be at the top of the slope.

C. STACKING VARIATIONS



A: Single stack in one direction
 B: Pair stack in two directions symmetrical
 C: Pair stack in one direction asymmetrical
 D: Pair stack in two directions asymmetrical
 E: Multiple stacking in one direction symmetrical or asymmetrical
 F: Centre stack

MOTORS & CONTROLS

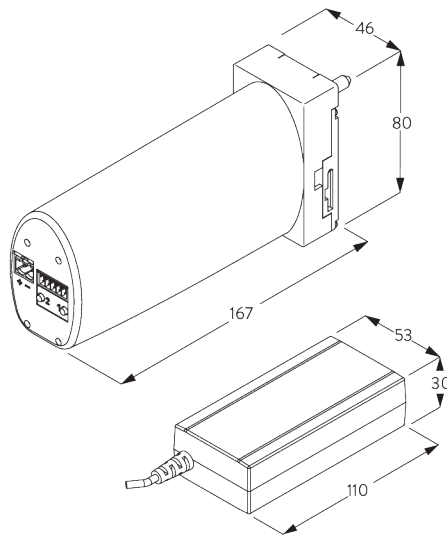
A. MOTOR FEATURES

Motors	SG 9090	SG 9091
Motor Features		
Soft start / stop	●	●
Built-in receiver		●
Electronic end-stop	●	●
Electronic revolution counter (unlimited revolution)	●	●
IP class	IP 40	IP 40
Control Features		
Dry contact control	●	●
Dry contact and / or SG Control L		●
Dry contact and / or SG Control R		●
SG Control L (built-in receiver)		●
SG Control R (built-in receiver)		●
Suitable for most major home automation systems (with suitable interface)	●	●

B. MOTOR SPECIFICATIONS

Motors	Voltage	Current	System speed / sec	Frequency receiver
SG 9090	24 V DC	1.8 A	10 cm / sec	n/a
SG 9091	24 V DC	1.8 A	10 cm / sec	433/868/915 MHz

C. MOTOR DIMENSIONS



Motors SG 9090 / SG 9091 DC (24 V)

Power supply SG 11425 needed to operate the motors.

D. OPERATING METHODS

See catalogue "controls" for details.

Wall Switch



System can be operated by fixed wall switch.

SG Control L



Various radio hand-held and wall transmitters available.



Silent Gliss Move App.

SG Control R



Various radio hand-held and wall transmitters available.

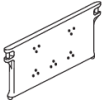

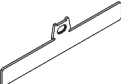
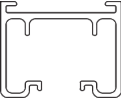



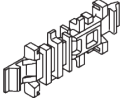
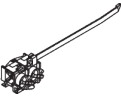

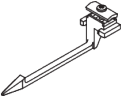

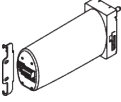
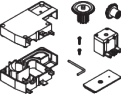
E. WIRING
DIAGRAMS



Refer to Silent Gliss website.

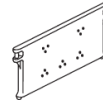

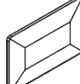
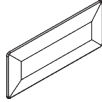




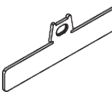



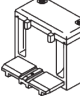
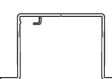
PARTS

A. STANDARD PARTS

	SG 2471 Bottom weight 127 mm
	SG 2479 Bottom link 127 mm
	SG 2605 Top clip 127 mm
	SG 2901 Profile
	SG 2912 Toothed chain
	SG 2916 Rotation element set 127 mm / 5"
	SG 2917 Rotation element set 100 mm / 4"
	SG 2925 Chain connector
	SG 2927 Pilot runner
	SG 2949 End stop
	SG 2982 End stop
	SG 3033 Clamp
	SG 9090 Motor 24V DC
	SG 9119 Gear drive set

	SG 11425 Power supply 24V / 2A including cable with UK plug
---	---

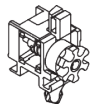
B. OPTIONAL PARTS

	SG 2473 Bottom weight 89 mm
	SG 2481 Bottom link 89 mm
	SG 2671 Bottom weight 89 mm
	SG 2672 Bottom weight 127 mm
	SG 2735 Holder
	SG 2775 Sloping window distance part
	SG 2776 Sloping window distance part
	SG 2793 Sloping window distance part
	SG 2813 Top clip 89 mm
	SG 2849 Louvre clip
	SG 2918 Rotation element set 89 mm / 3.5"
	SG 2919 Rotation element set 80 mm / 3"
	SG 2930 Guide return
	SG 2932 Recess profile



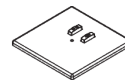
SG 2937

Safety device



SG 2975

Pilot runner sloping window



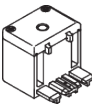
SG 20913

Wall switch single channel



SG 2941

Wedge



SG 2977

Guide return



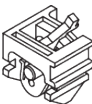
SG 20914

Wall switch 8 channel



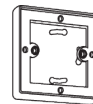
SG 2944

Limit stop



SG 2979

Brake sloping window



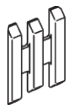
SG 20917

Patress box



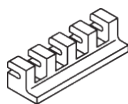
SG 2945

Limit stop



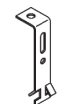
SG 2989

Connector



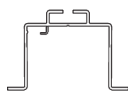
SG 2946

Limit stop



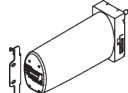
SG 6268

Hanger



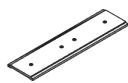
SG 2948

Recess profile



SG 9091

Motor 24V DC, radio receiver



SG 2962

Connection bridge



SG 10300

Radio hand held 1 channel



SG 2966

Spacer



SG 10302

Radio hand held 5+1 channel



SG 2967

Spacer



SG 10303

Radio hand held 10+2+1 channel



SG 2968

Spacer



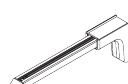
SG 10804

Radio hand held 15+5+1 channel



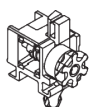
SG 2969

Spacer



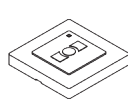
SG 11156

Universal Smart Fix 200 mm



SG 2971

Rotation element sloping window



SG 11480

Radio wall transmitter 1 channel



SG 2972

Spacer



SG 11490

Radio wall transmitter 5+1 channel



SG 2973

Spacer



SG 20336

Hand held transmitter 8 channel

